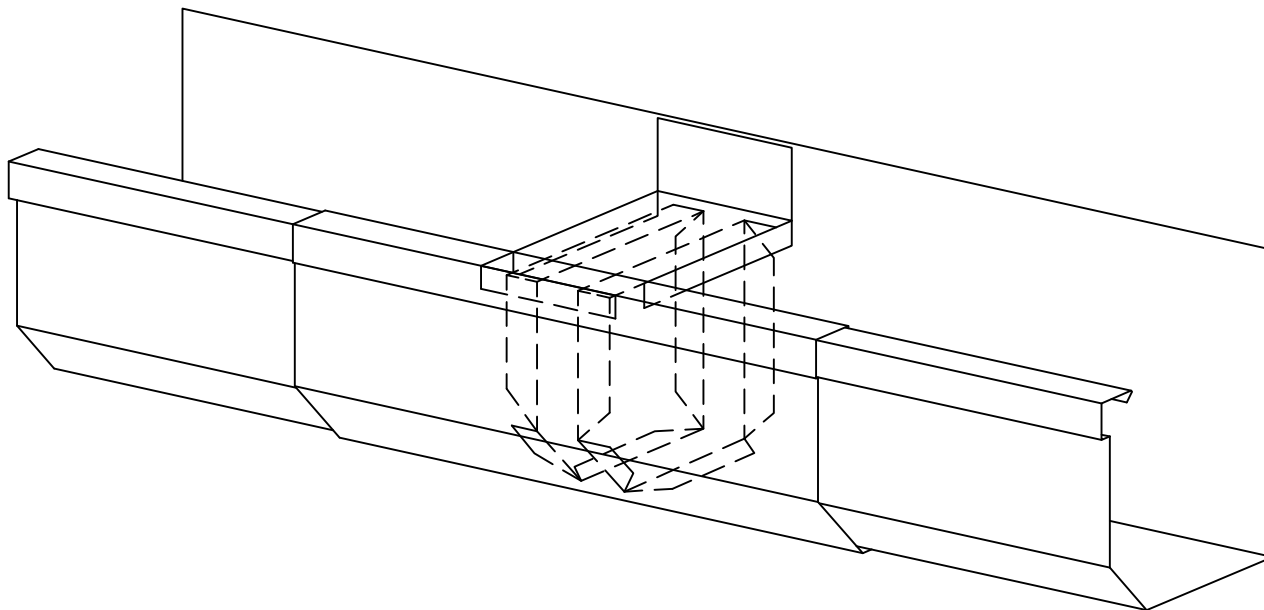


# 7" GUTTER EXPANSION JOINT

**TEMPLE**  
Architectural Products



- WITH FLANGE BACK
- WITHOUT FLANGE BACK

MATERIAL (please choose one):

- 24 GA Steel
- 22 GA Steel
- .032 Aluminum
- .040 Aluminum

Other: \_\_\_\_\_

Color: \_\_\_\_\_

Finish: \_\_\_\_\_

Quantities:

\_\_\_\_\_ Units

- Pop Rivet & Sealed
- Welded (see note)\*

\*Note: Accessory Welding is only available in .050 aluminum or heavier

Miter/End Cap additional information:

See the attached sheets for miters and end cap

24 ga stocked colors:

- 1) Regal White
- 2) Medium Bronze
- 3) Dark Bronze

Other colors available upon request

Sheet \_\_\_ of \_\_\_

DWG# 700-005

**Notes:**

- 1) Written approval is required prior to fabrication, contractor is responsible for all dimensions and quantities. Fabricated items are not returnable.
- 2) Gutter brackets are to be installed at 24" O/C
- 3) Expansion joints and slip joints are available.
- 4) Welded miters are post painted units

Temple Architectural Products  
1111 Lowell St.  
Elyria, OH 44035

Phone: (440) 323-9393

Fax: (440) 412-7559

Project Name: \_\_\_\_\_

Installing Contractor: \_\_\_\_\_

Contact Name: \_\_\_\_\_

Contact number: \_\_\_\_\_

Signed Approval: \_\_\_\_\_