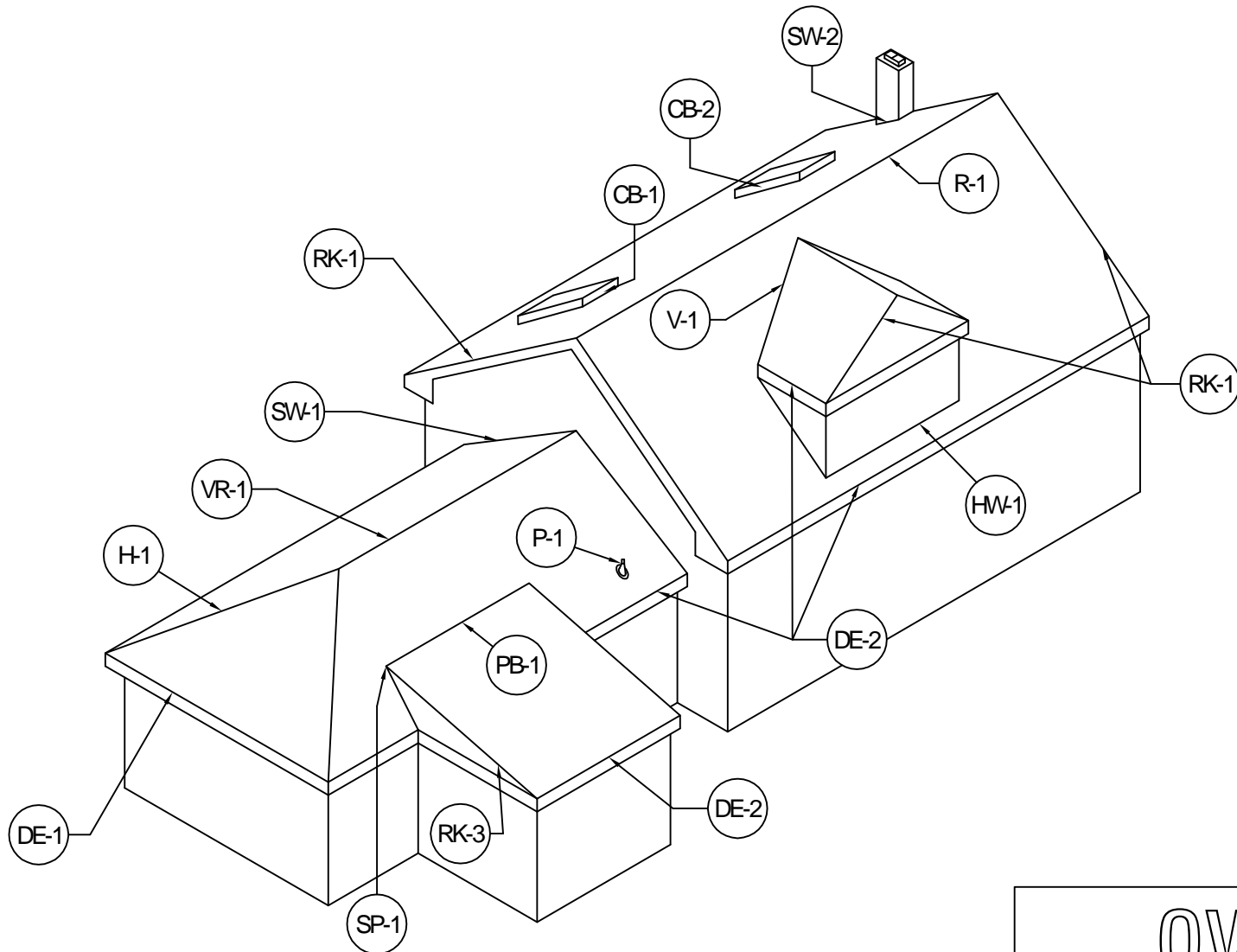


STANDING SEAM OVERVIEW



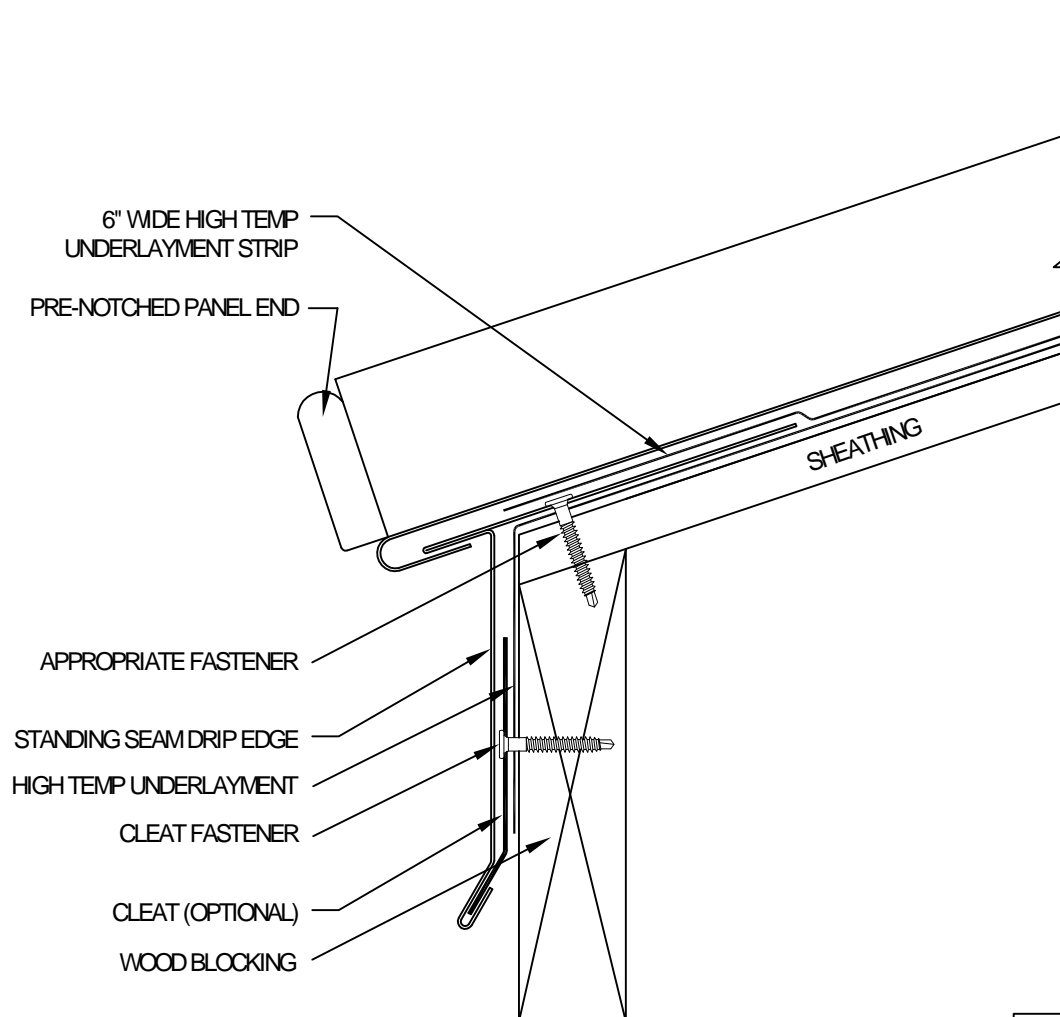
OV-1

Temple Architectural Products
638 Moore Rd
Avon Lake, OH 44012

Phone: (216) 440-3595
Alternate: (330) 348-3983
Fax: (440) 653-9883

1) Temple Architectural Products provides generic details for estimating purposes only and assumes no liability for the weather-tight integrity of these details.
2) Wood nailer or blocking must be installed to meet applicable building codes and/or support 200 LB load in any given direction per linear foot.

DRIP EDGE - 1



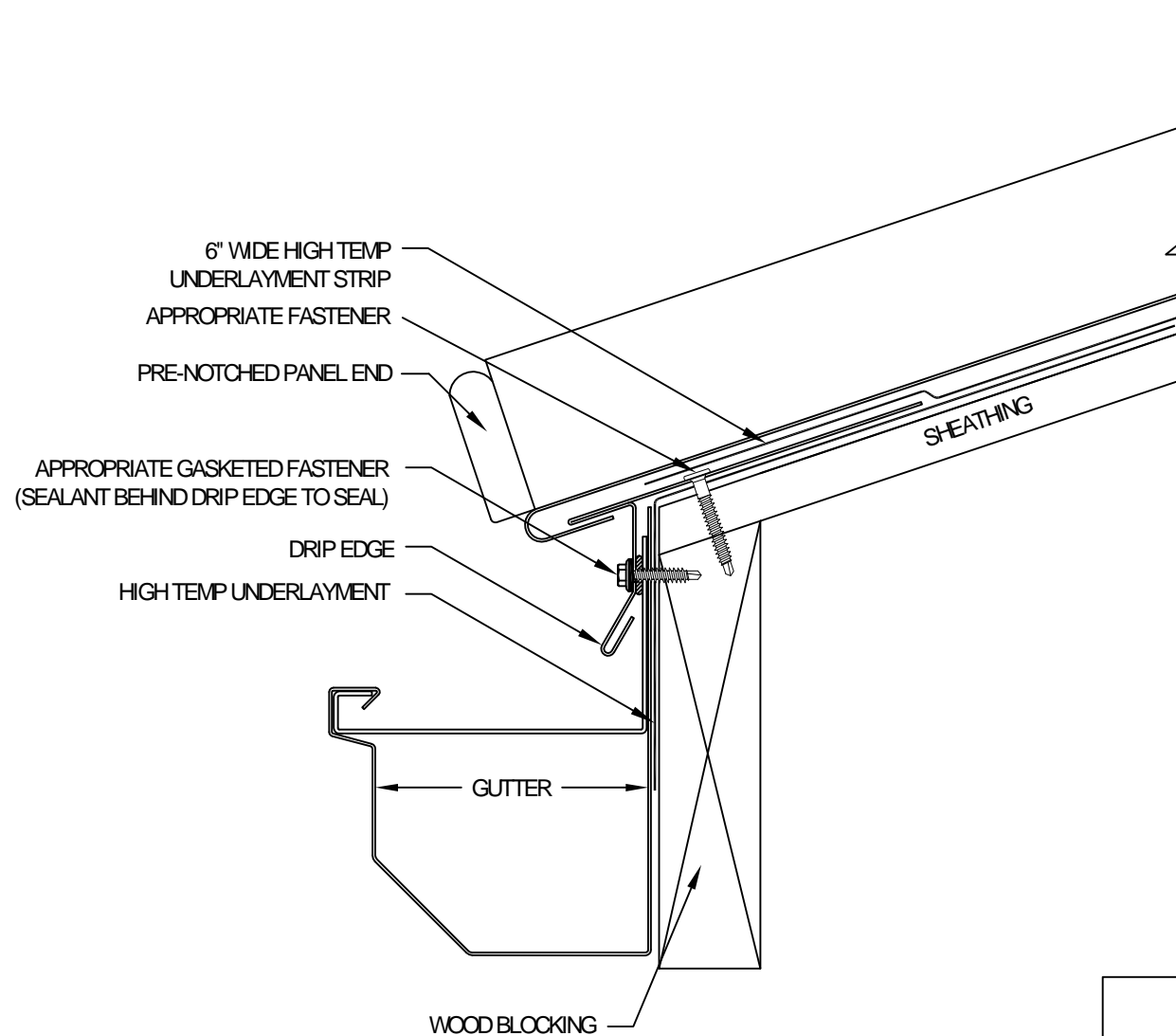
DE-1

Temple Architectural Products
638 Moore Rd
Avon Lake, OH 44012

Phone: (216) 440-3595
Alternate: (330) 348-3983
Fax: (440) 653-9883

1) Temple Architectural Products provides generic details for estimating purposes only and assumes no liability for the weather-tight integrity of these details.
2) Wood nailer or blocking must be installed to meet applicable building codes and/or support 200 LB load in any given direction per linear foot.

DRIP EDGE - 2



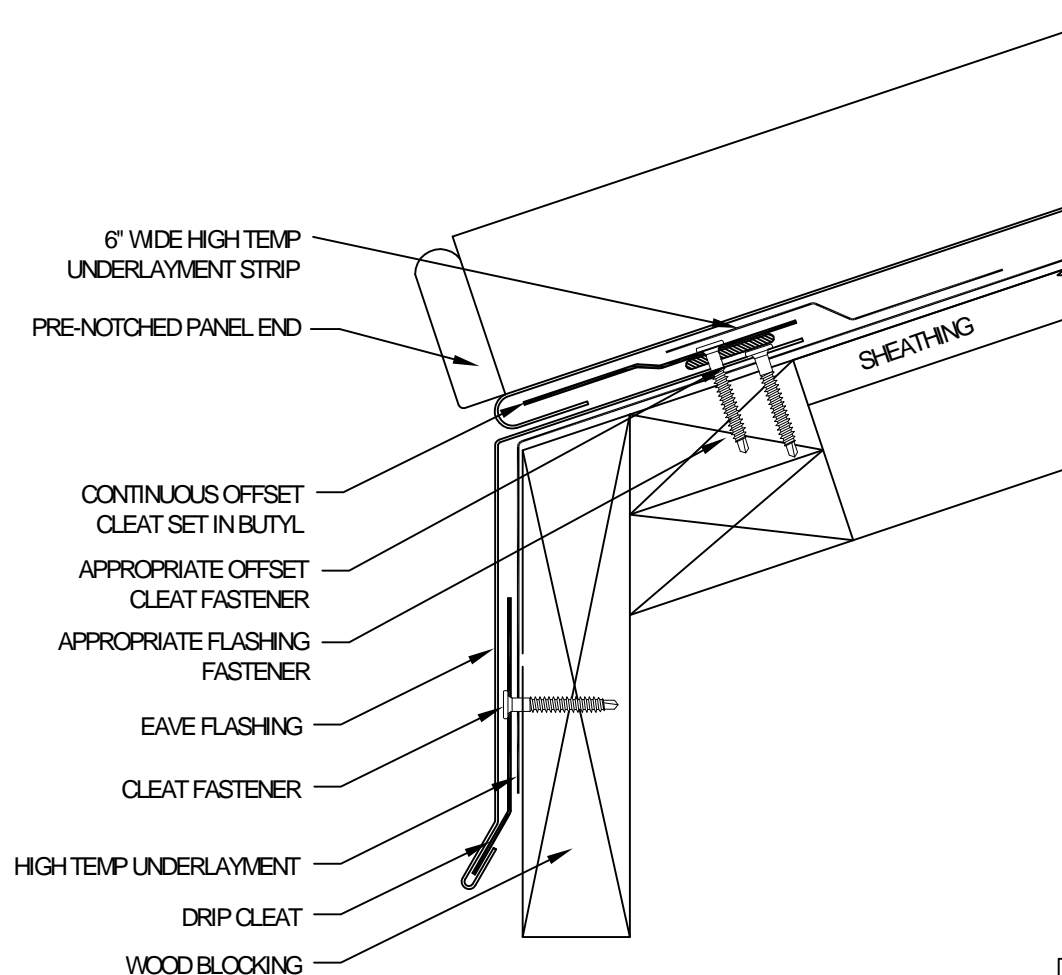
DE-2

Temple Architectural Products
638 Moore Rd
Avon Lake, OH 44012

Phone: (216) 440-3595
Alternate: (330) 348-3983
Fax: (440) 653-9883

1) Temple Architectural Products provides generic details for estimating purposes only and assumes no liability for the weather-tight integrity of these details.
2) Wood nailer or blocking must be installed to meet applicable building codes and/or support 200 LB load in any given direction per linear foot.

DRIP EDGE - 3



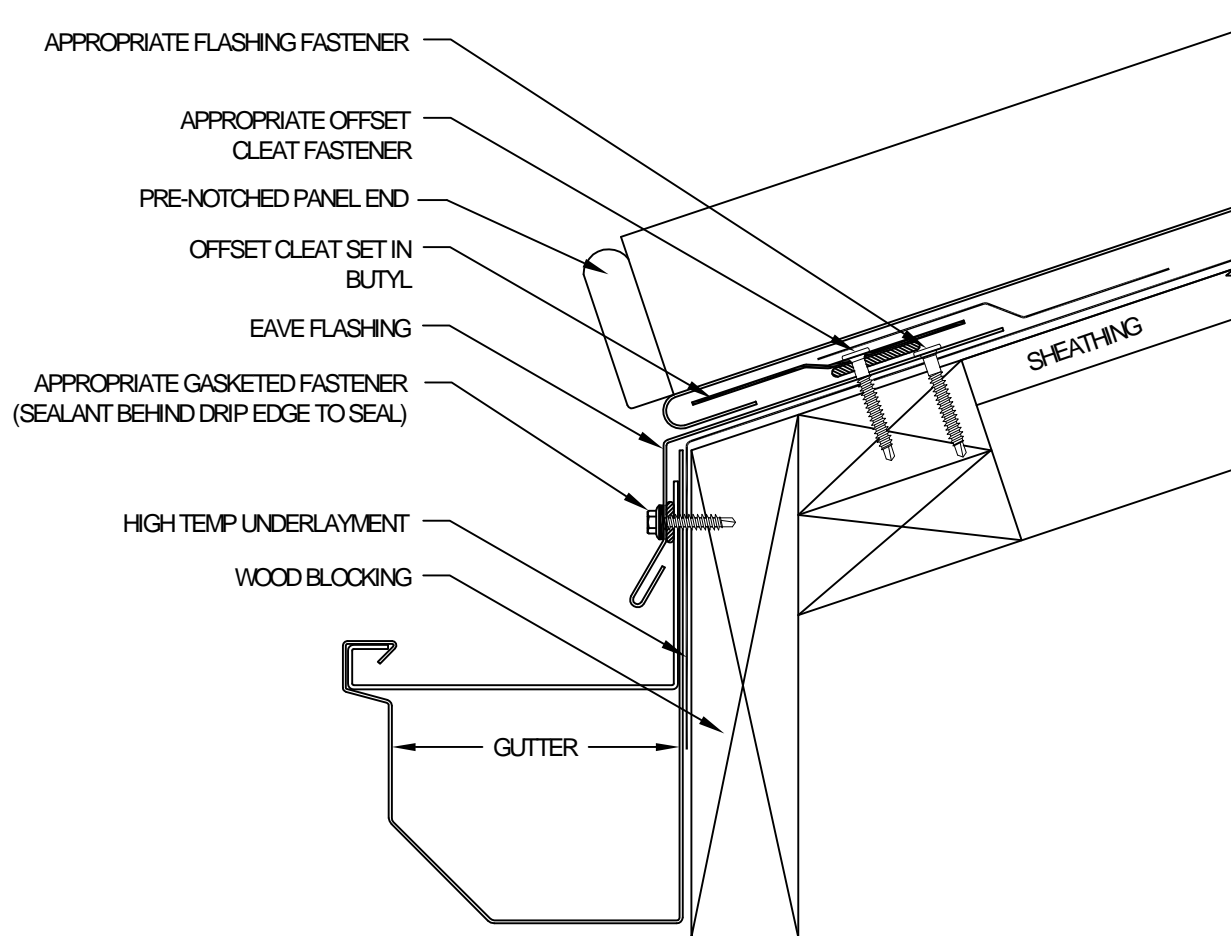
DE-3

Temple Architectural Products
638 Moore Rd
Avon Lake, OH 44012

Phone: (216) 440-3595
Alternate: (330) 348-3983
Fax: (440) 653-9883

- 1) Temple Architectural Products provides generic details for estimating purposes only and assumes no liability for the weather-tight integrity of these details.
- 2) Wood nailer or blocking must be installed to meet applicable building codes and/or support 200 LB load in any given direction per linear foot.

DRIP EDGE - 4



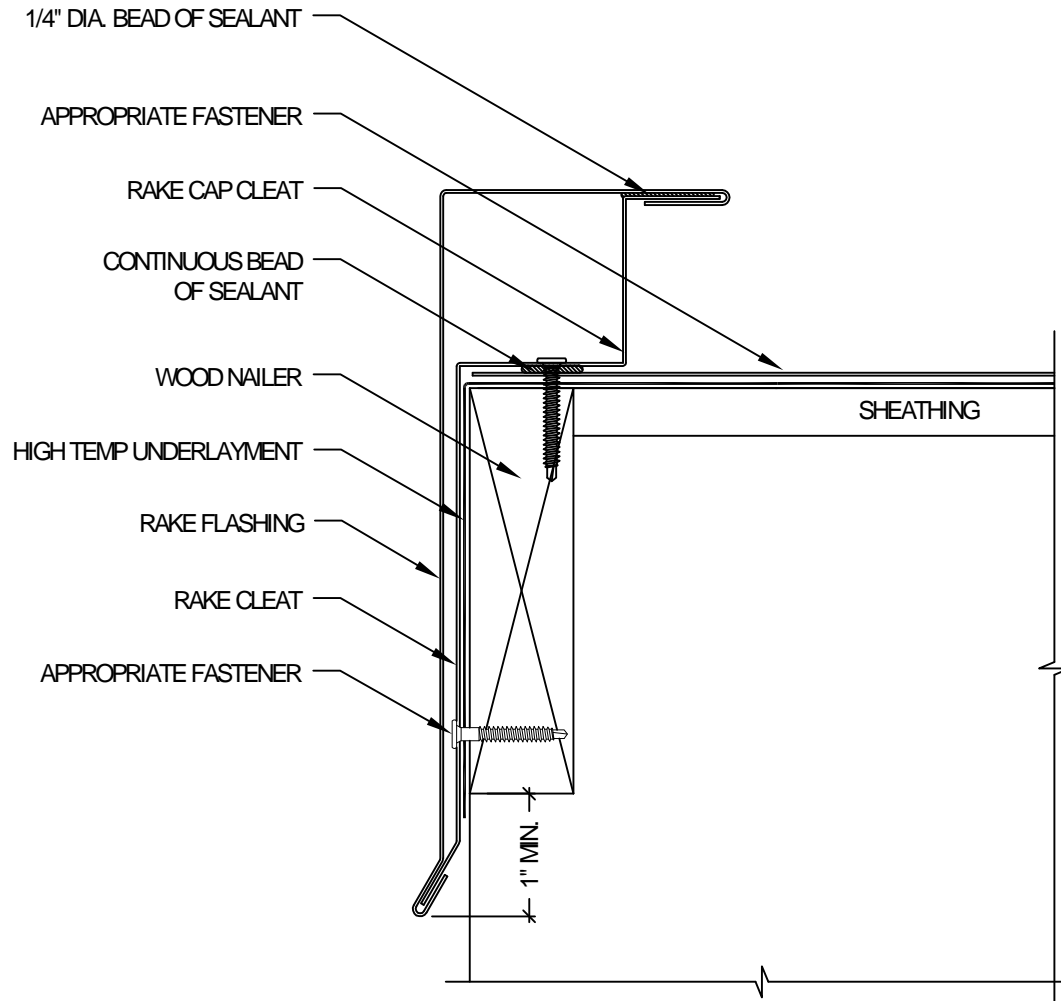
DE-4

Temple Architectural Products
638 Moore Rd
Avon Lake, OH 44012

Phone: (216) 440-3595
Alternate: (330) 348-3983
Fax: (440) 653-9883

1) Temple Architectural Products provides generic details for estimating purposes only and assumes no liability for the weather-tight integrity of these details.
2) Wood nailer or blocking must be installed to meet applicable building codes and/or support 200 LB load in any given direction per linear foot.

RAKE EDGE - 1



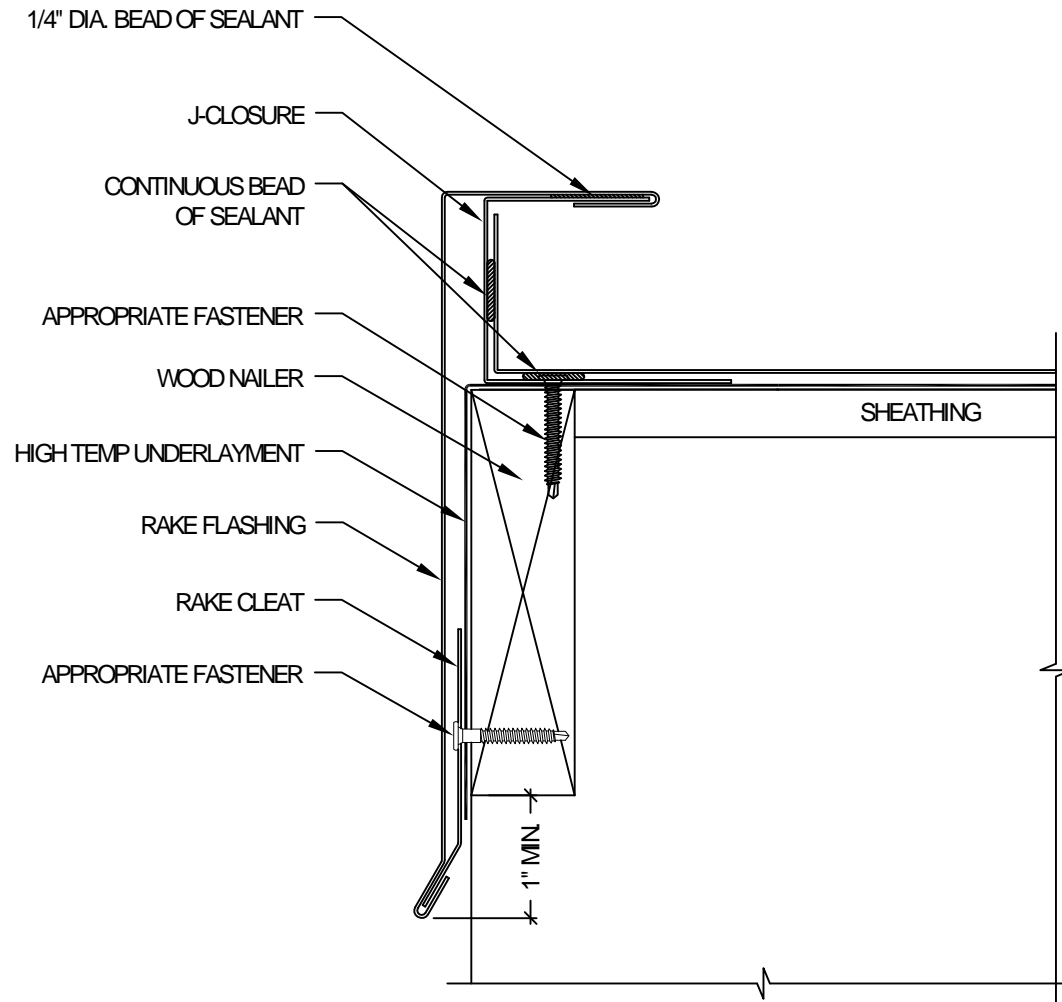
RK-1

Temple Architectural Products
638 Moore Rd
Avon Lake, OH 44012

Phone: (216) 440-3595
Alternate: (330) 348-3983
Fax: (440) 653-9883

1) Temple Architectural Products provides generic details for estimating purposes only and assumes no liability for the weather-tight integrity of these details.
2) Wood nailer or blocking must be installed to meet applicable building codes and/or support 200 LB load in any given direction per linear foot.

RAKE EDGE - 2



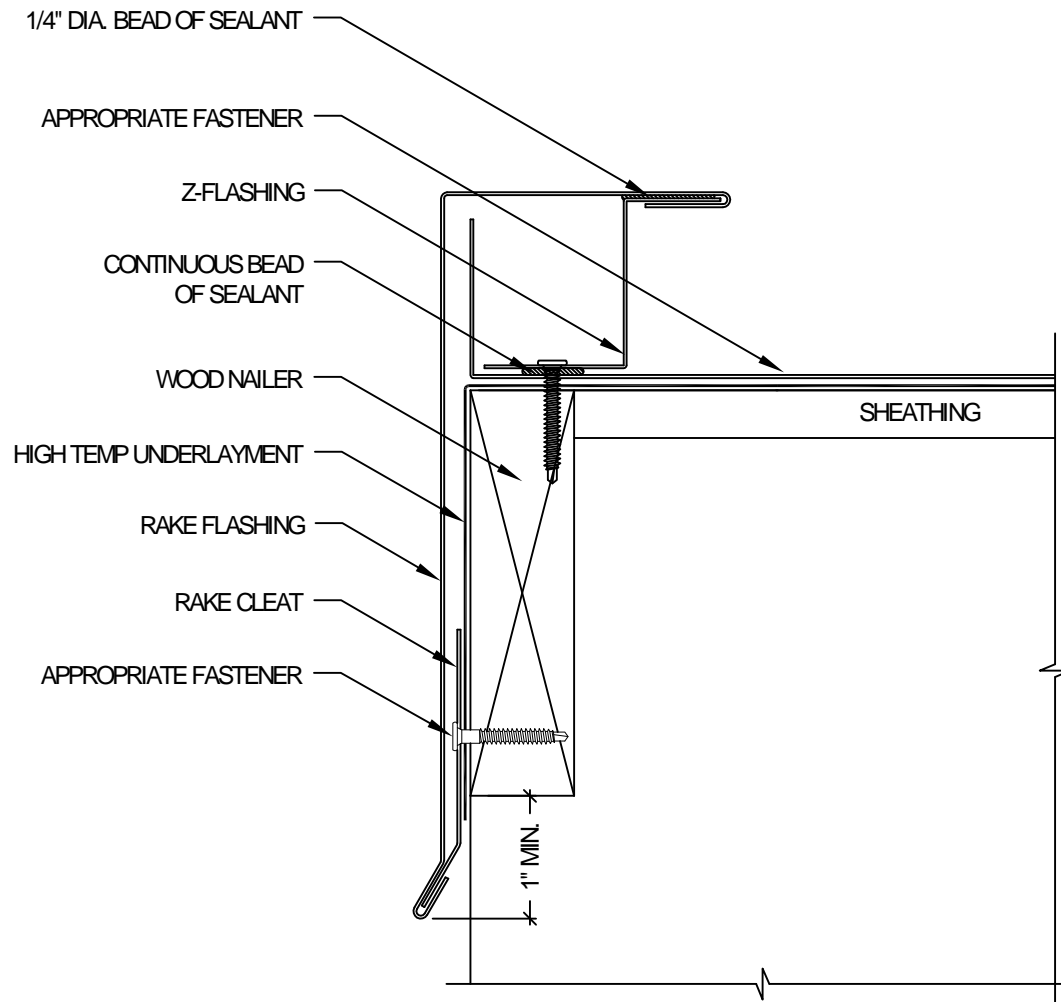
RK-2

Temple Architectural Products
638 Moore Rd
Avon Lake, OH 44012

Phone: (216) 440-3595
Alternate: (330) 348-3983
Fax: (440) 653-9883

1) Temple Architectural Products provides generic details for estimating purposes only and assumes no liability for the weather-tight integrity of these details.
2) Wood nailer or blocking must be installed to meet applicable building codes and/or support 200 LB load in any given direction per linear foot.

RAKE EDGE - 3



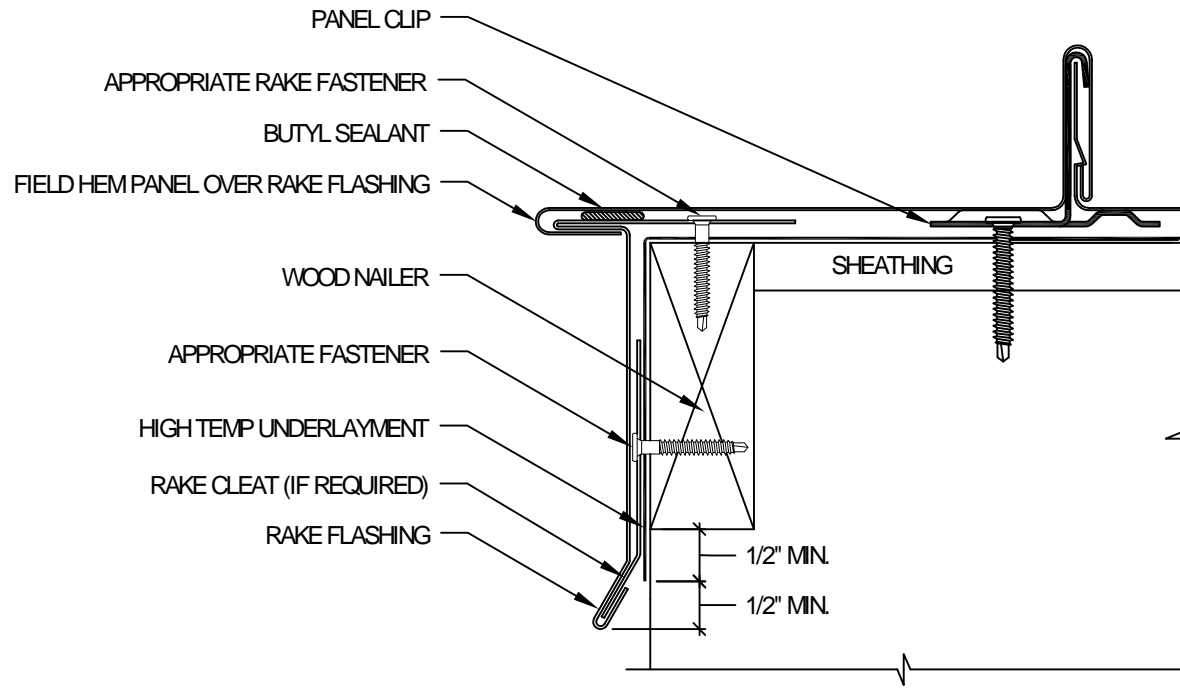
RK-3

Temple Architectural Products
638 Moore Rd
Avon Lake, OH 44012

Phone: (216) 440-3595
Alternate: (330) 348-3983
Fax: (440) 653-9883

1) Temple Architectural Products provides generic details for estimating purposes only and assumes no liability for the weather-tight integrity of these details.
2) Wood nailer or blocking must be installed to meet applicable building codes and/or support 200 LB load in any given direction per linear foot.

RAKE EDGE - 4



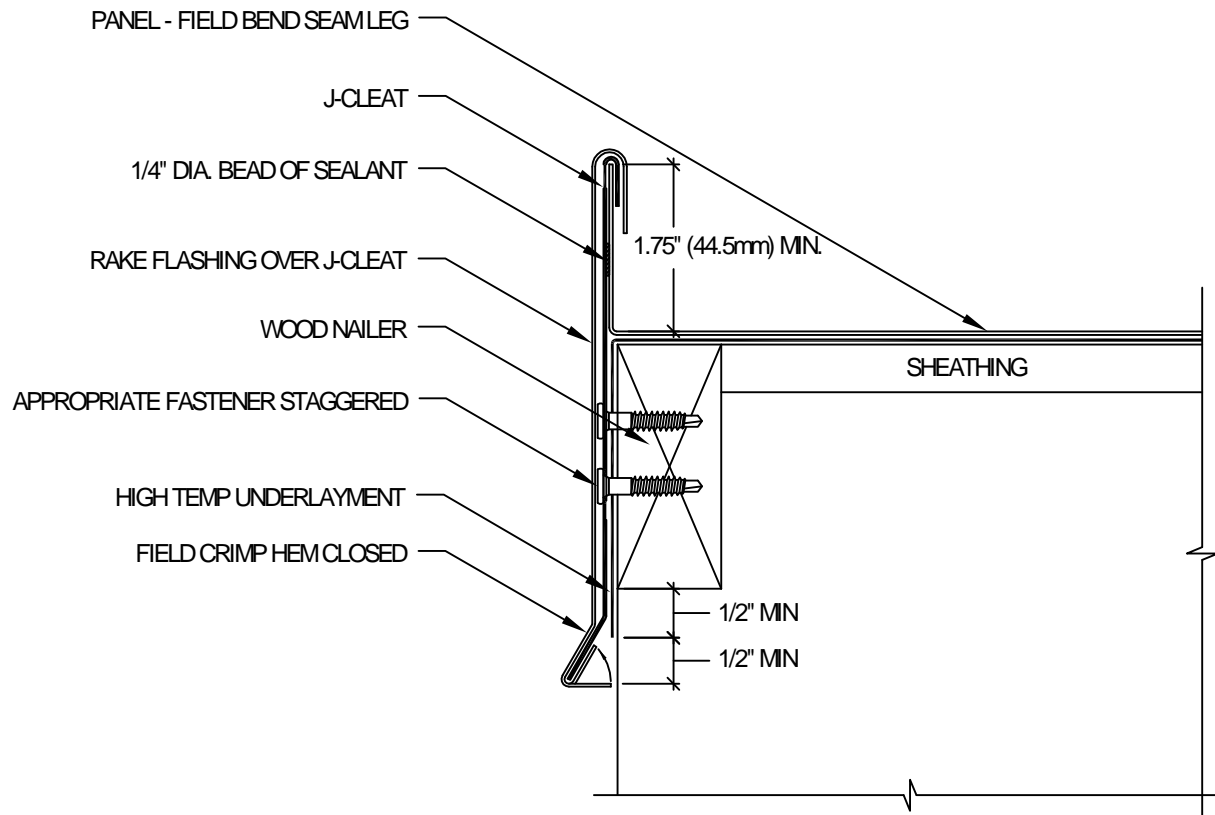
RK-4

Temple Architectural Products
638 Moore Rd
Avon Lake, OH 44012

Phone: (216) 440-3595
Alternate: (330) 348-3983
Fax: (440) 653-9883

1) Temple Architectural Products provides generic details for estimating purposes only and assumes no liability for the weather-tight integrity of these details.
2) Wood nailer or blocking must be installed to meet applicable building codes and/or support 200 LB load in any given direction per linear foot.

RAKE EDGE - 5



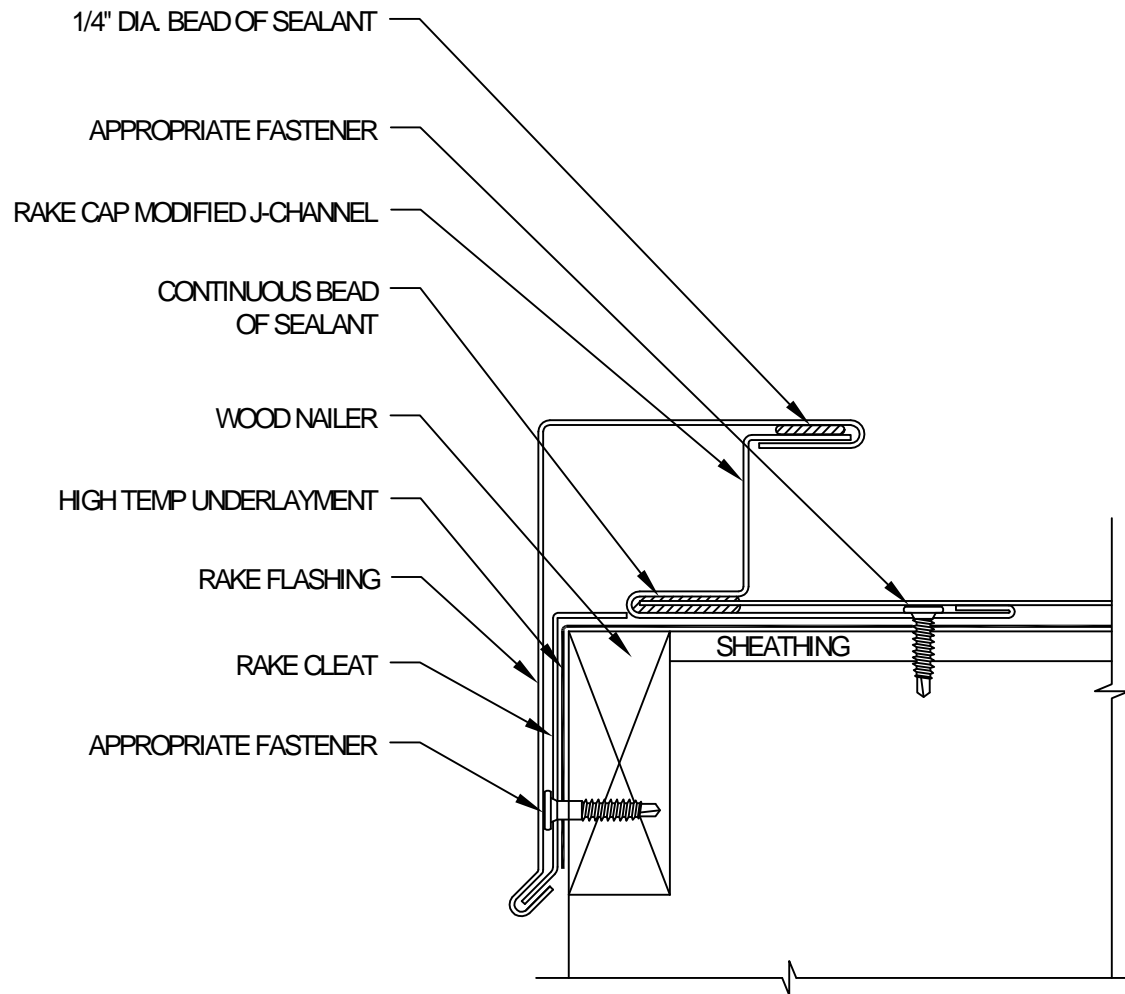
RK-5

Temple Architectural Products
638 Moore Rd
Avon Lake, OH 44012

Phone: (216) 440-3595
Alternate: (330) 348-3983
Fax: (440) 653-9883

1) Temple Architectural Products provides generic details for estimating purposes only and assumes no liability for the weather-tight integrity of these details.
2) Wood nailer or blocking must be installed to meet applicable building codes and/or support 200 LB load in any given direction per linear foot.

RAKE EDGE - 6



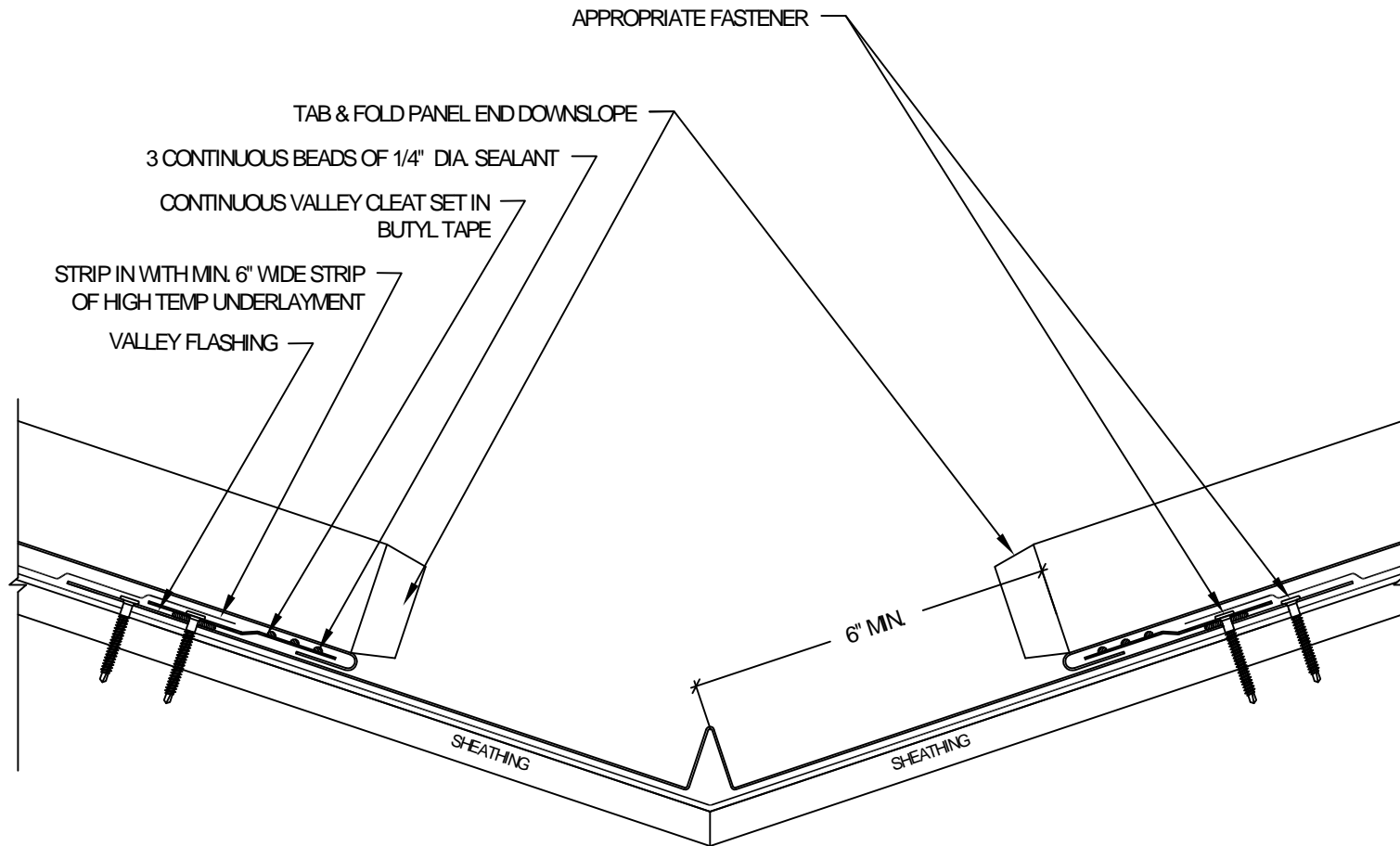
RK-6

Temple Architectural Products
638 Moore Rd
Avon Lake, OH 44012

Phone: (216) 440-3595
Alternate: (330) 348-3983
Fax: (440) 653-9883

1) Temple Architectural Products provides generic details for estimating purposes only and assumes no liability for the weather-tight integrity of these details.
2) Wood nailer or blocking must be installed to meet applicable building codes and/or support 200 LB load in any given direction per linear foot.

VALLEY FLASHING - 1



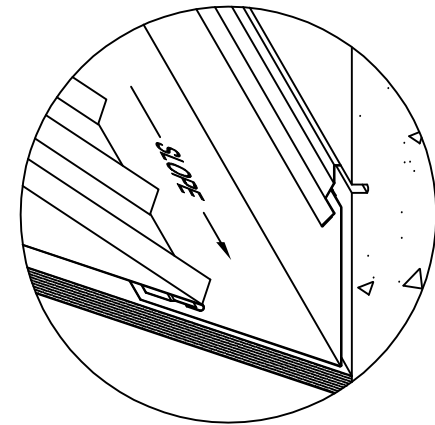
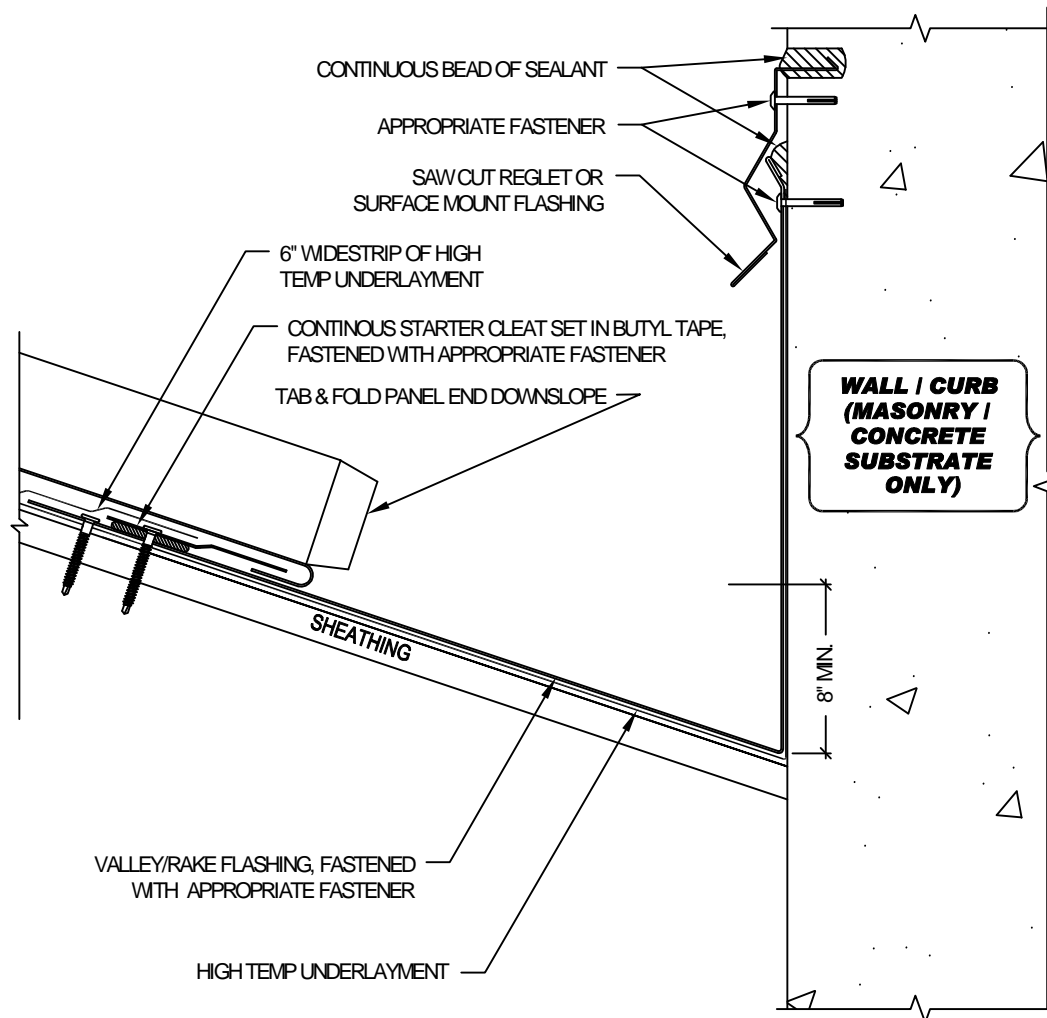
V-1

Temple Architectural Products
638 Moore Rd
Avon Lake, OH 44012

Phone: (216) 440-3595
Alternate: (330) 348-3983
Fax: (440) 653-9883

1) Temple Architectural Products provides generic details for estimating purposes only and assumes no liability for the weather-tight integrity of these details.
2) Wood nailer or blocking must be installed to meet applicable building codes and/or support 200 LB load in any given direction per linear foot.

VALLEY FLASHING - 2



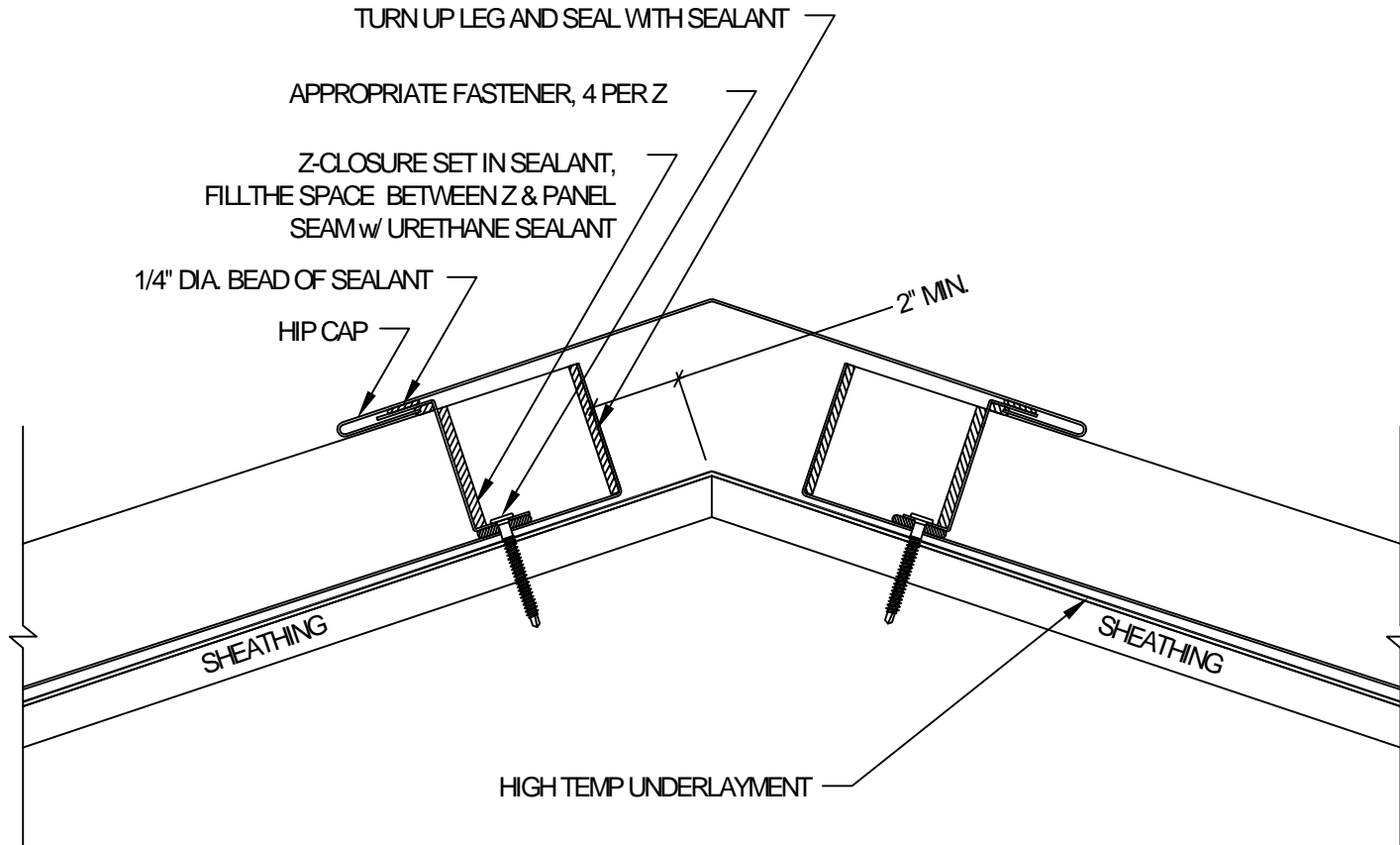
V-2

Temple Architectural Products
638 Moore Rd
Avon Lake, OH 44012

Phone: (216) 440-3595
Alternate: (330) 348-3983
Fax: (440) 653-9883

- 1) Temple Architectural Products provides generic details for estimating purposes only and assumes no liability for the weather-tight integrity of these details.
- 2) Wood nailer or blocking must be installed to meet applicable building codes and/or support 200 LB load in any given direction per linear foot.

HIP CAP ASSEMBLY - 1



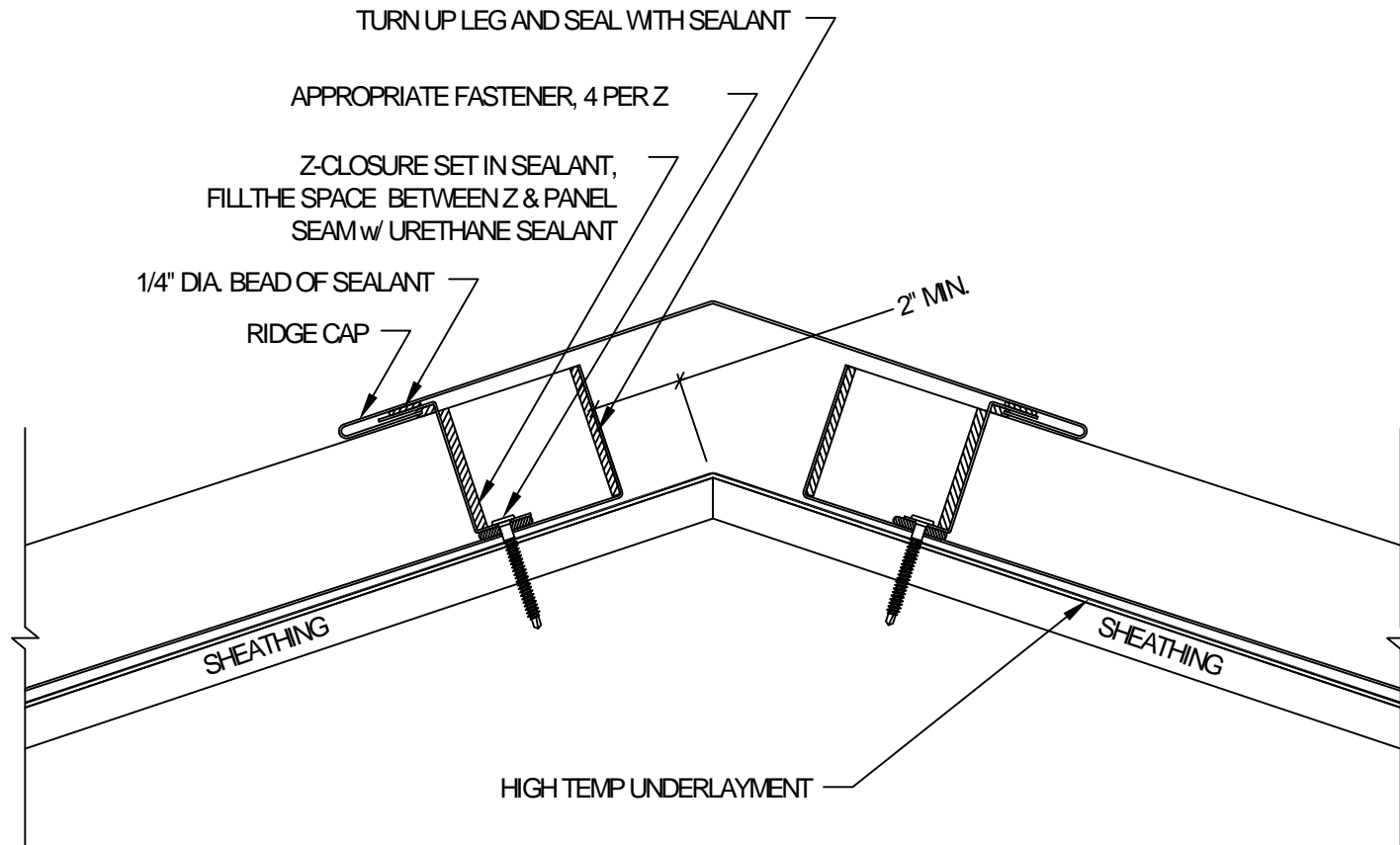
H-1

Temple Architectural Products
638 Moore Rd
Avon Lake, OH 44012

Phone: (216) 440-3595
Alternate: (330) 348-3983
Fax: (440) 653-9883

- 1) Temple Architectural Products provides generic details for estimating purposes only and assumes no liability for the weather-tight integrity of these details.
- 2) Wood nailer or blocking must be installed to meet applicable building codes and/or support 200 LB load in any given direction per linear foot.

RIDGE CAP ASSEMBLY - 1



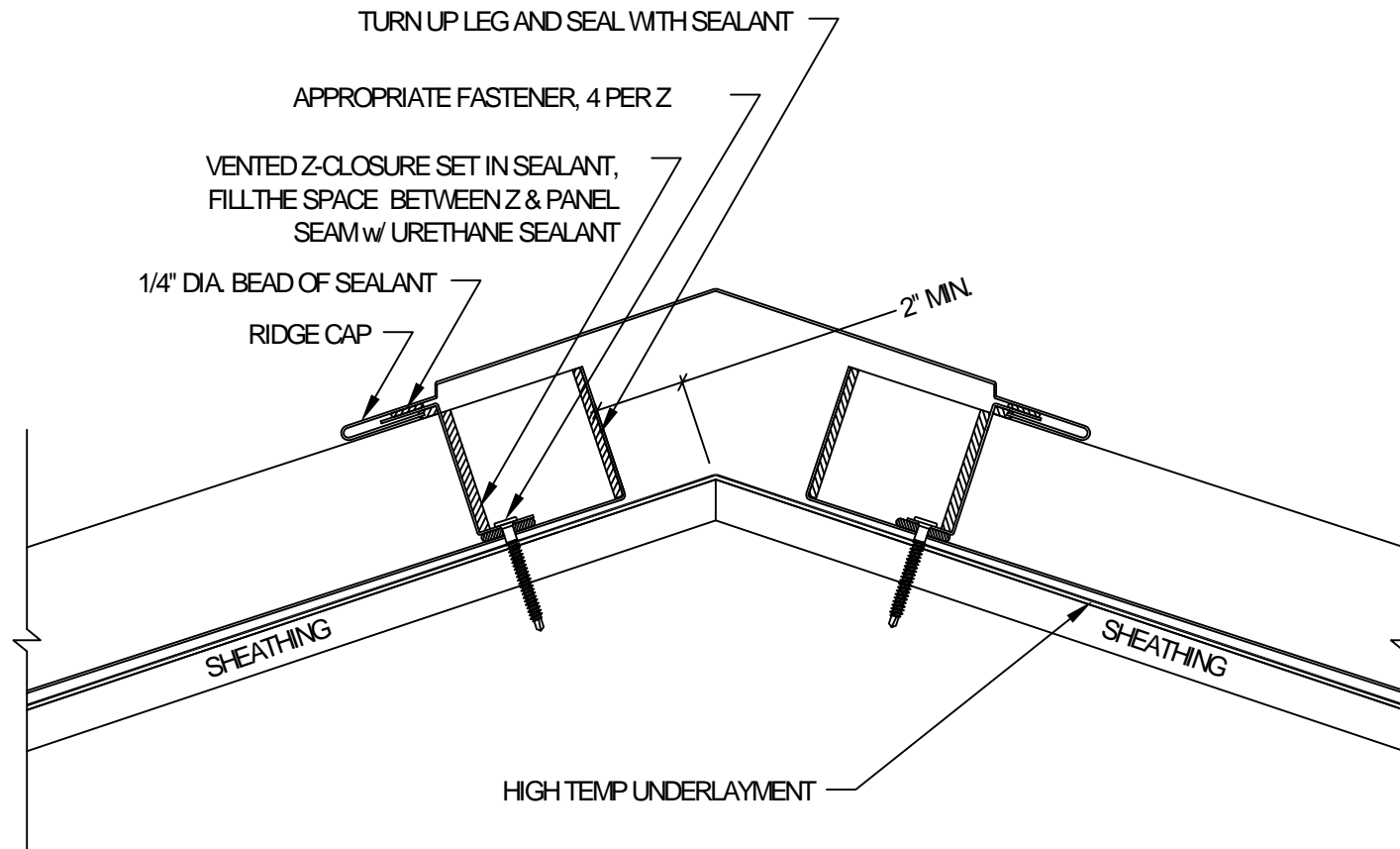
R-1

Temple Architectural Products
638 Moore Rd
Avon Lake, OH 44012

Phone: (216) 440-3595
Alternate: (330) 348-3983
Fax: (440) 653-9883

1) Temple Architectural Products provides generic details for estimating purposes only and assumes no liability for the weather-tight integrity of these details.
2) Wood nailer or blocking must be installed to meet applicable building codes and/or support 200 LB load in any given direction per linear foot.

VENTED RIDGE CAP ASSEMBLY - 1



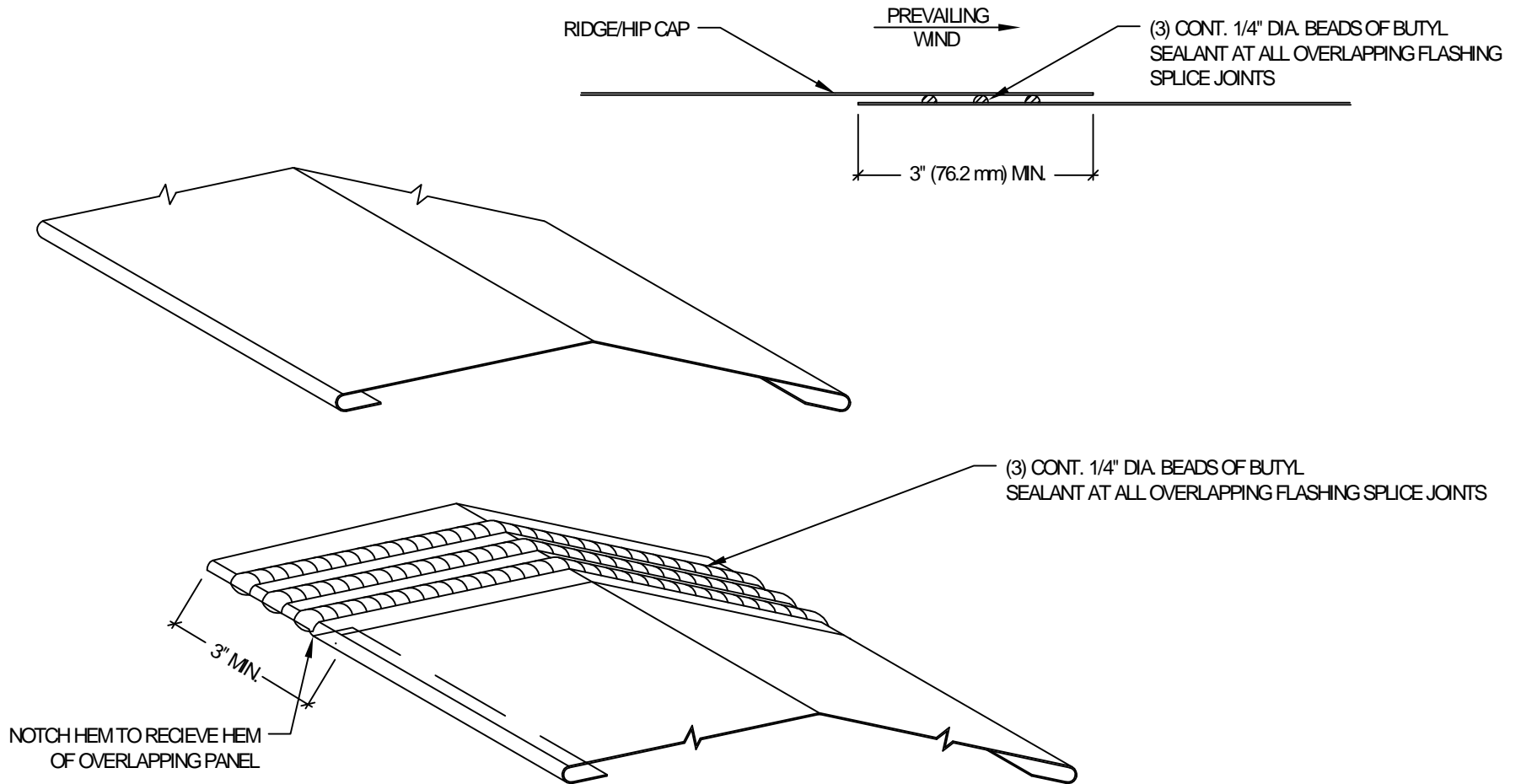
VR-1

Temple Architectural Products
638 Moore Rd
Avon Lake, OH 44012

Phone: (216) 440-3595
Alternate: (330) 348-3983
Fax: (440) 653-9883

- 1) Temple Architectural Products provides generic details for estimating purposes only and assumes no liability for the weather-tight integrity of these details.
- 2) Wood nailer or blocking must be installed to meet applicable building codes and/or support 200 LB load in any given direction per linear foot.

HIP/RIDGE CAP SPLICE - 1



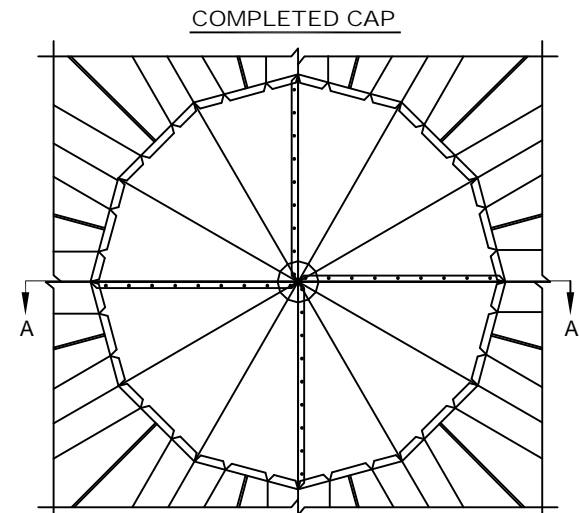
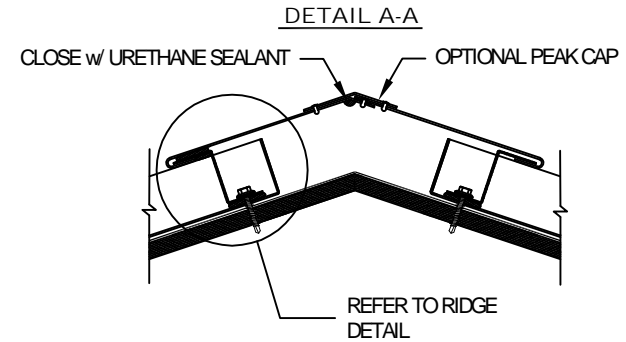
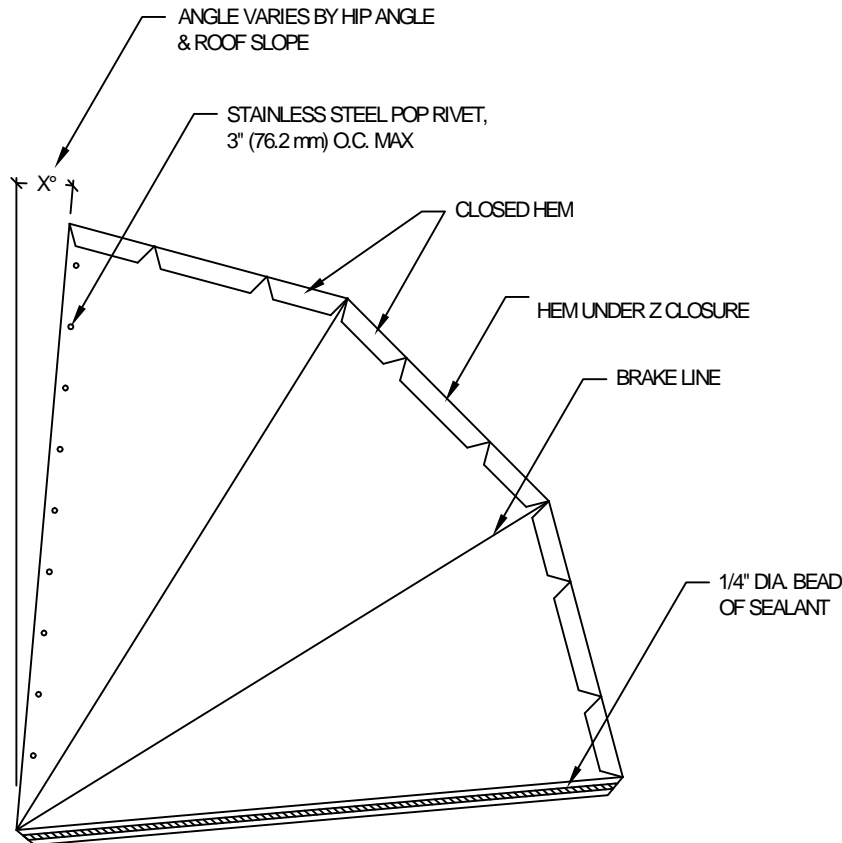
HRSP-1

Temple Architectural Products
638 Moore Rd
Avon Lake, OH 44012

Phone: (216) 440-3595
Alternate: (330) 348-3983
Fax: (440) 653-9883

1) Temple Architectural Products provides generic details for estimating purposes only and assumes no liability for the weather-tight integrity of these details.
2) Wood nailer or blocking must be installed to meet applicable building codes and/or support 200 LB load in any given direction per linear foot.

MULTIPLE RIDGE MITERS - 1



NOTE: SHOWN AS FOUR SEGMENTS. NUMBER OF REQUIRED SEGMENTS AND SIZE OF EACH SEGMENT IS PROJECT SPECIFIC

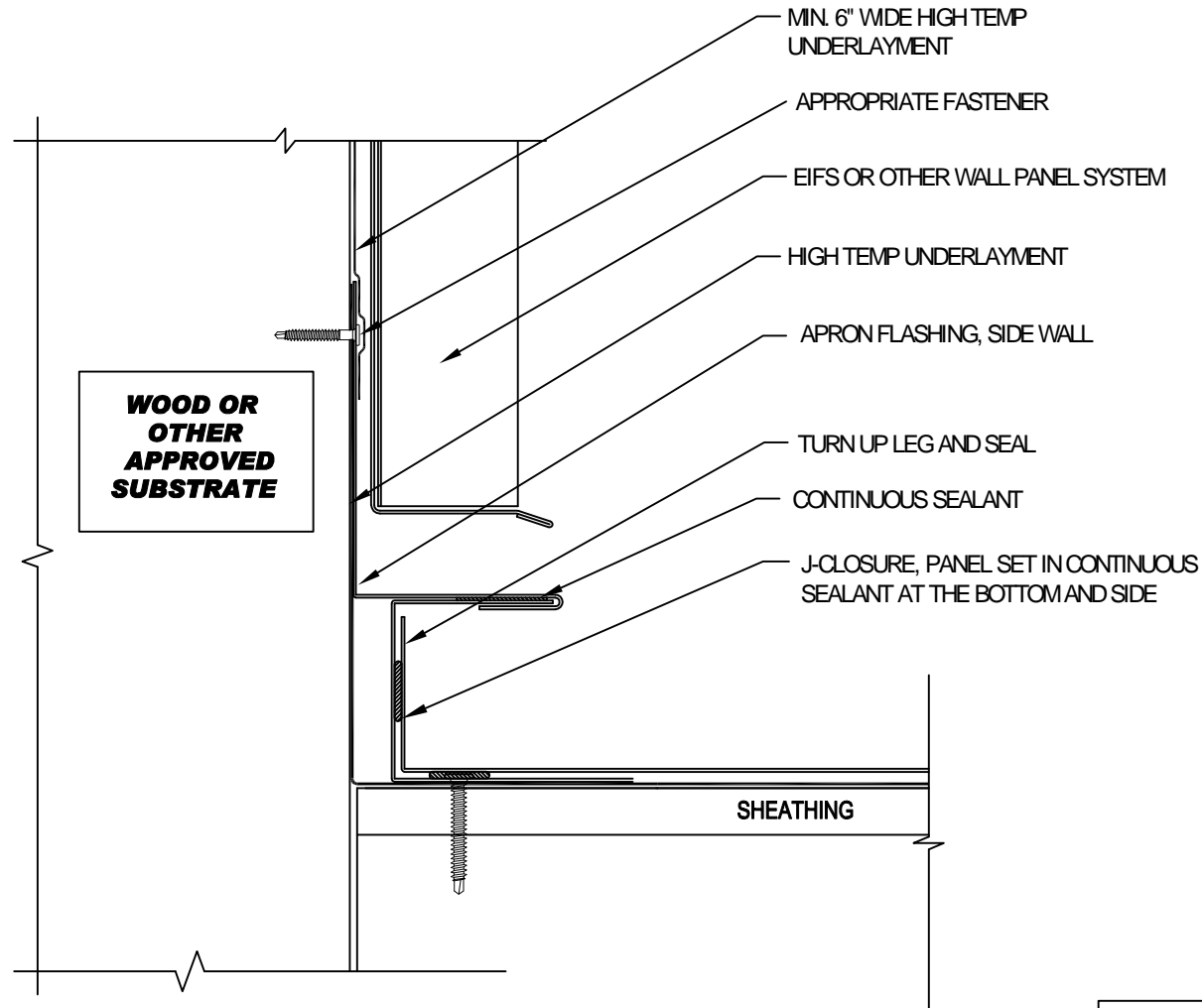
MR-1

Temple Architectural Products
638 Moore Rd
Avon Lake, OH 44012

Phone: (216) 440-3595
Alternate: (330) 348-3983
Fax: (440) 653-9883

1) Temple Architectural Products provides generic details for estimating purposes only and assumes no liability for the weather-tight integrity of these details.
2) Wood nailer or blocking must be installed to meet applicable building codes and/or support 200 LB load in any given direction per linear foot.

SIDE WALL ASSEMBLY - 1



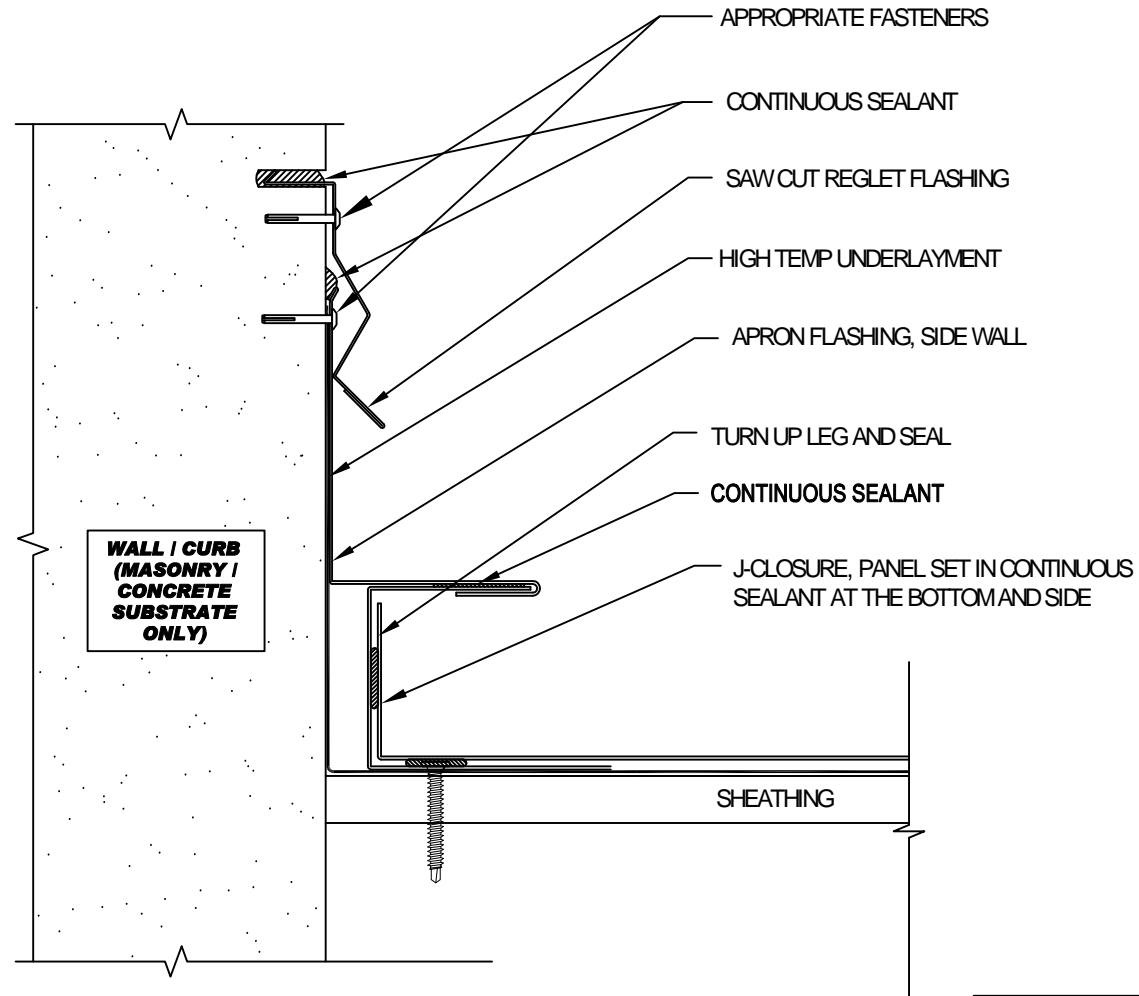
SW-1

Temple Architectural Products
638 Moore Rd
Avon Lake, OH 44012

Phone: (216) 440-3595
Alternate: (330) 348-3983
Fax: (440) 653-9883

1) Temple Architectural Products provides generic details for estimating purposes only and assumes no liability for the weather-tight integrity of these details.
2) Wood nailer or blocking must be installed to meet applicable building codes and/or support 200 LB load in any given direction per linear foot.

SIDE WALL ASSEMBLY - 2



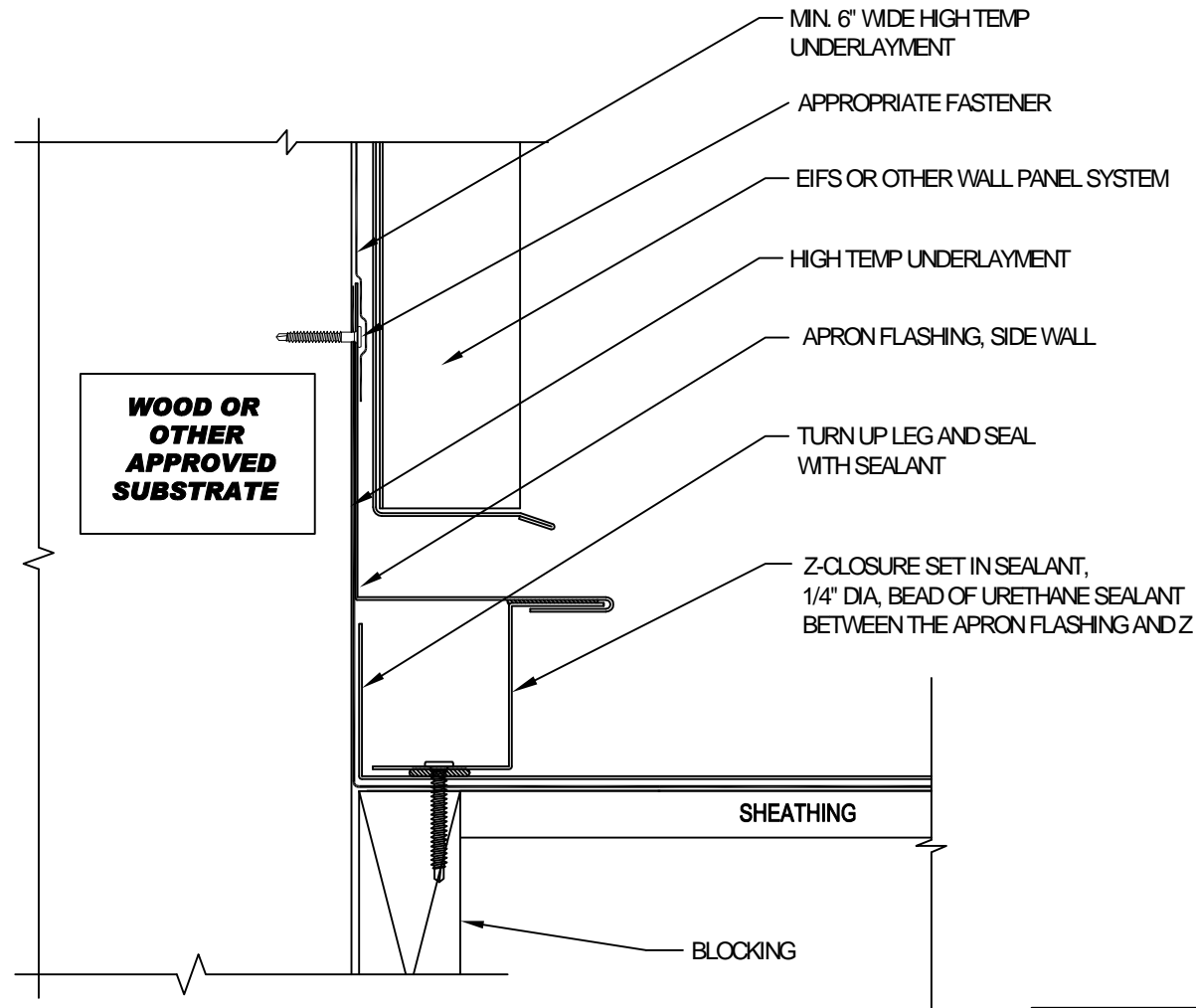
SW-2

Temple Architectural Products
638 Moore Rd
Avon Lake, OH 44012

Phone: (216) 440-3595
Alternate: (330) 348-3983
Fax: (440) 653-9883

1) Temple Architectural Products provides generic details for estimating purposes only and assumes no liability for the weather-tight integrity of these details.
2) Wood nailer or blocking must be installed to meet applicable building codes and/or support 200 LB load in any given direction per linear foot.

SIDE WALL ASSEMBLY - 3



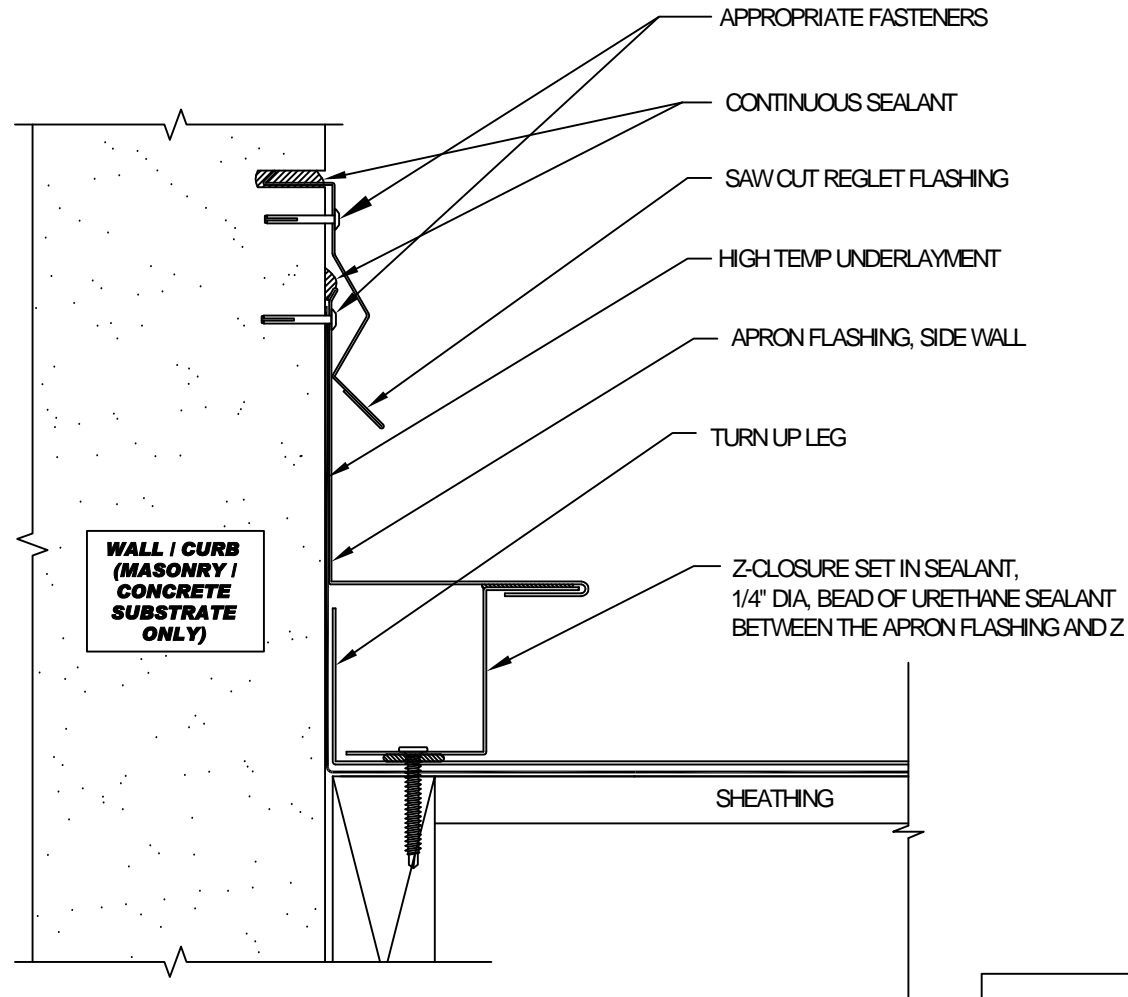
SW-3

Temple Architectural Products
638 Moore Rd
Avon Lake, OH 44012

Phone: (216) 440-3595
Alternate: (330) 348-3983
Fax: (440) 653-9883

1) Temple Architectural Products provides generic details for estimating purposes only and assumes no liability for the weather-tight integrity of these details.
2) Wood nailer or blocking must be installed to meet applicable building codes and/or support 200 LB load in any given direction per linear foot.

SIDE WALL ASSEMBLY - 4



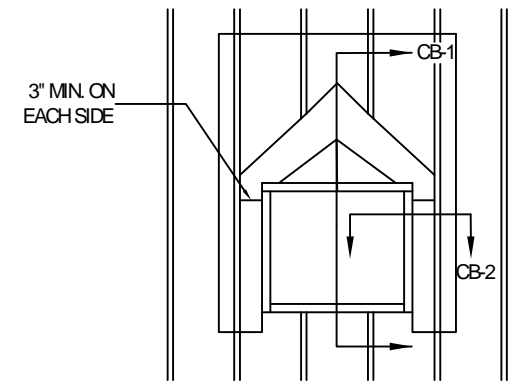
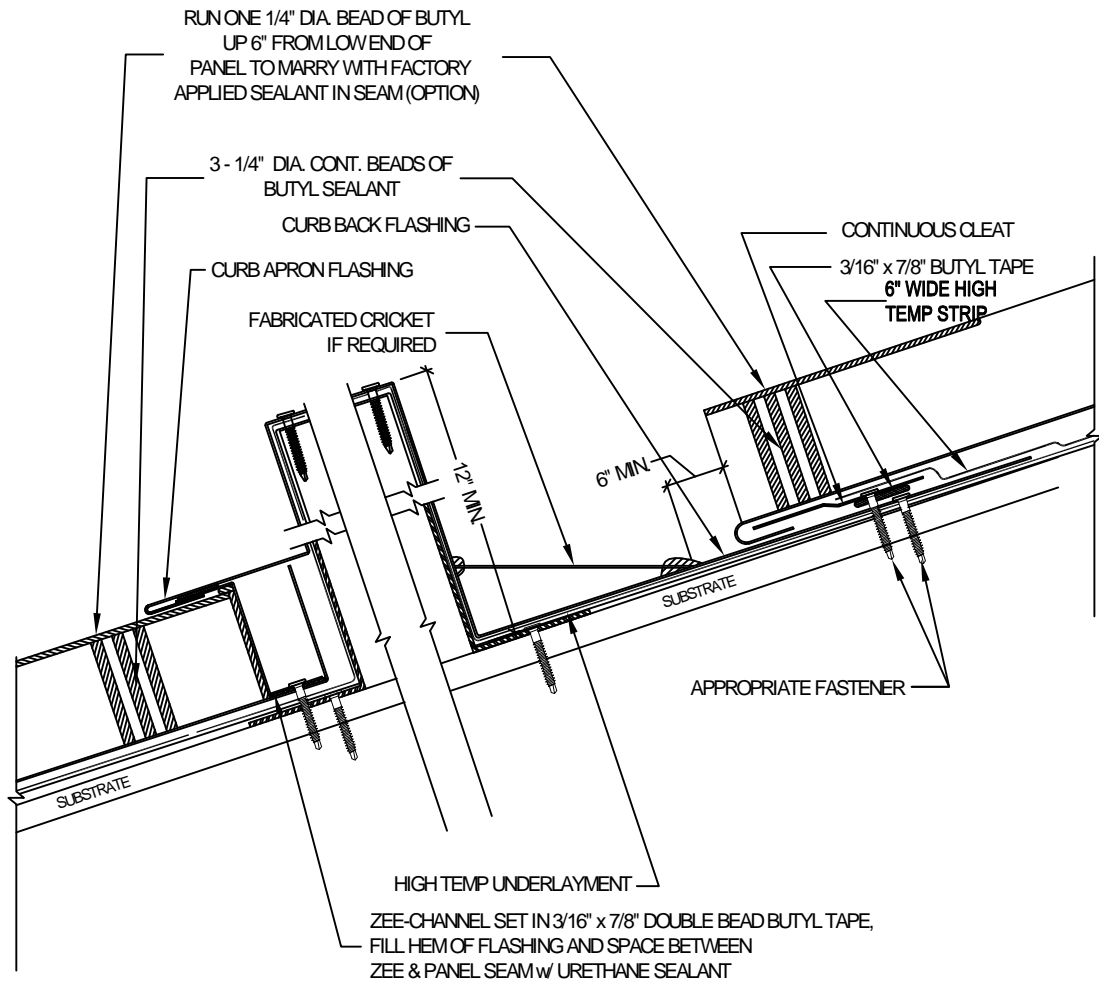
SW-4

Temple Architectural Products
638 Moore Rd
Avon Lake, OH 44012

Phone: (216) 440-3595
Alternate: (330) 348-3983
Fax: (440) 653-9883

1) Temple Architectural Products provides generic details for estimating purposes only and assumes no liability for the weather-tight integrity of these details.
2) Wood nailer or blocking must be installed to meet applicable building codes and/or support 200 LB load in any given direction per linear foot.

CURB ASSEMBLY ASSEMBLY - 1



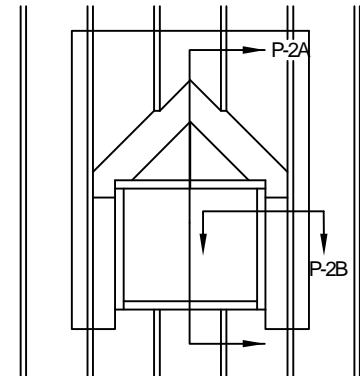
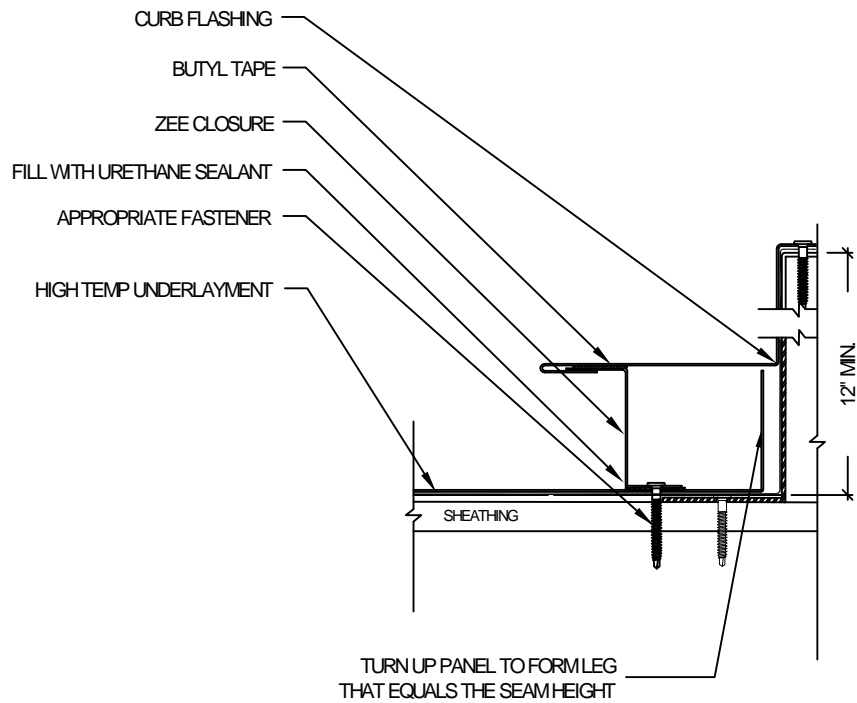
CB-1

Temple Architectural Products
 638 Moore Rd
 Avon Lake, OH 44012

Phone: (216) 440-3595
 Alternate: (330) 348-3983
 Fax: (440) 653-9883

1) Temple Architectural Products provides generic details for estimating purposes only and assumes no liability for the weather-tight integrity of these details.
 2) Wood nailer or blocking must be installed to meet applicable building codes and/or support 200 LB load in any given direction per linear foot.

CURB ASSEMBLY ASSEMBLY - 2



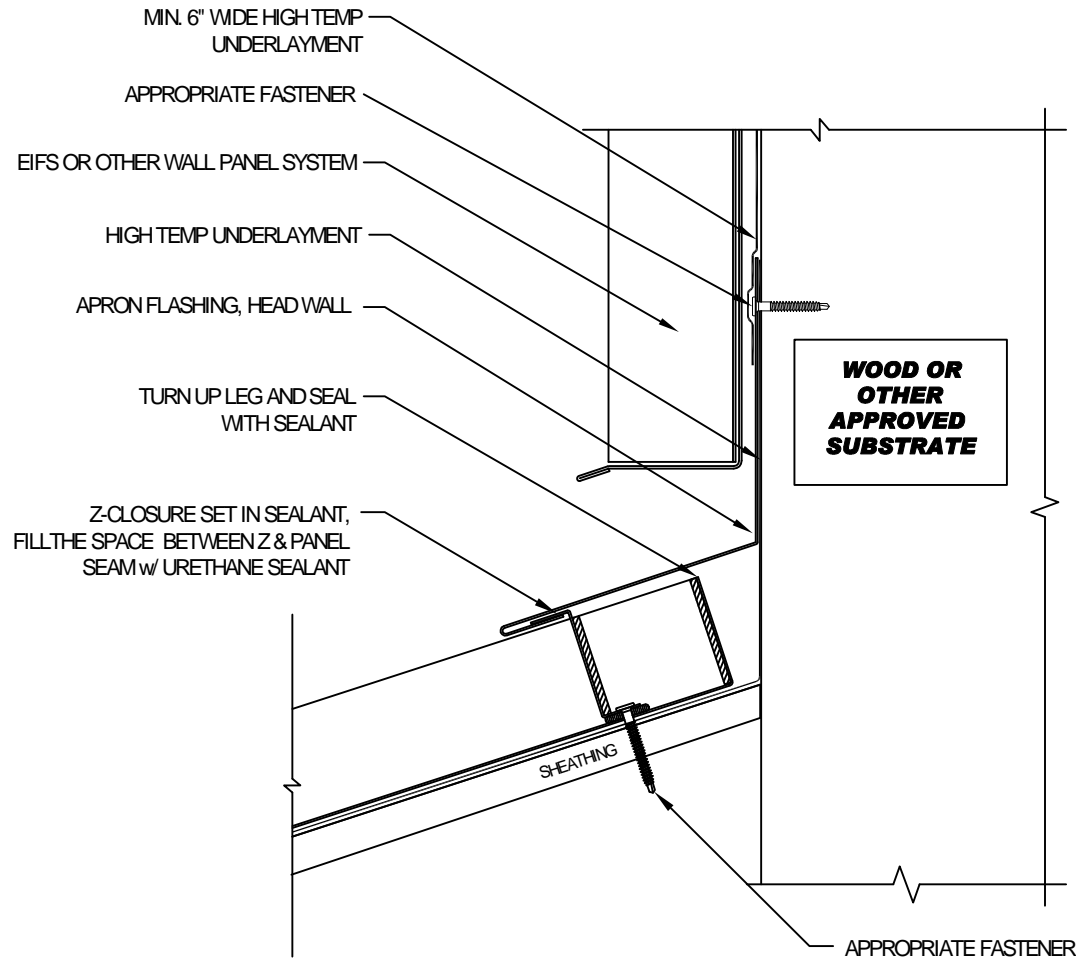
CB-2

Temple Architectural Products
638 Moore Rd
Avon Lake, OH 44012

Phone: (216) 440-3595
Alternate: (330) 348-3983
Fax: (440) 653-9883

1) Temple Architectural Products provides generic details for estimating purposes only and assumes no liability for the weather-tight integrity of these details.
2) Wood nailer or blocking must be installed to meet applicable building codes and/or support 200 LB load in any given direction per linear foot.

HEAD WALL ASSEMBLY - 1



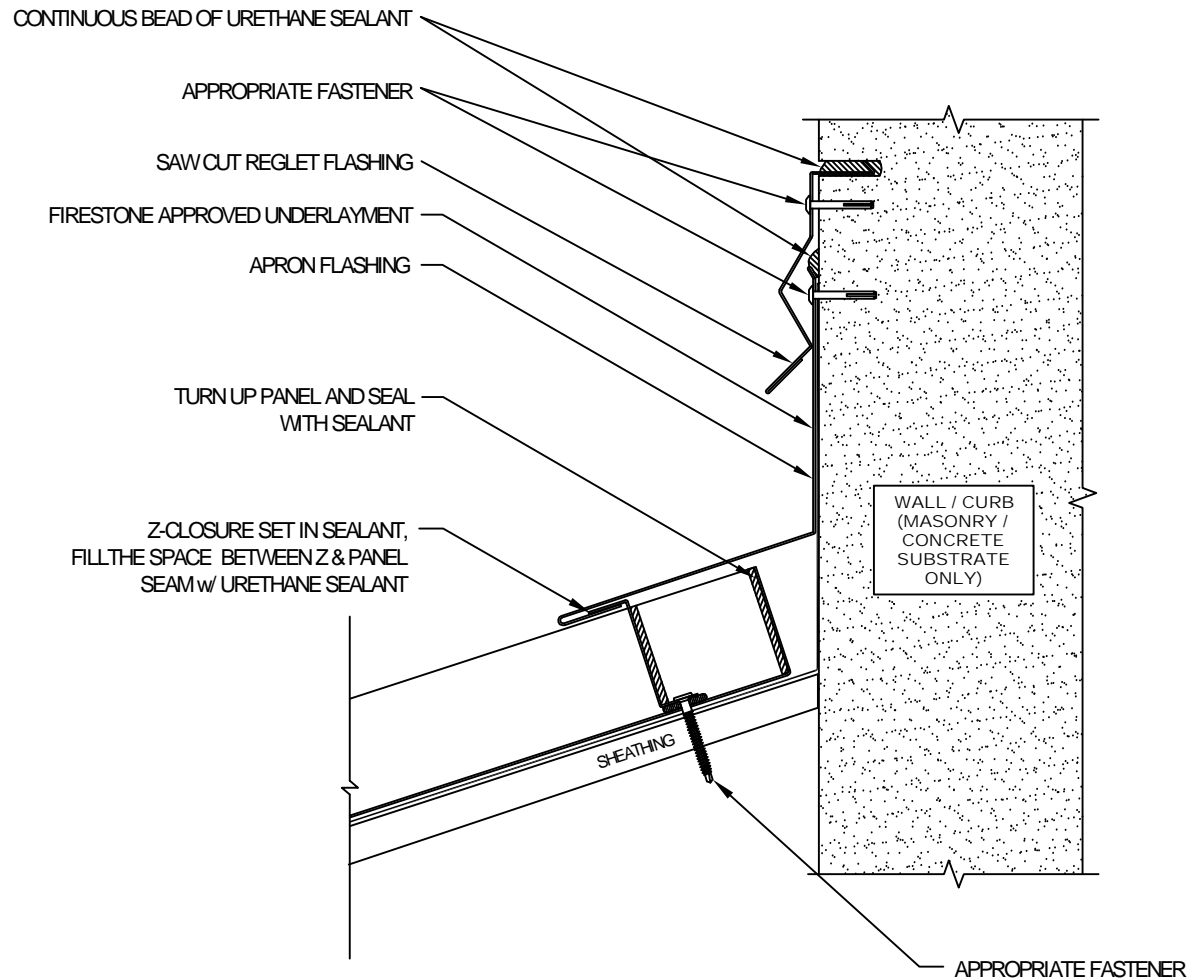
HW-1

Temple Architectural Products
638 Moore Rd
Avon Lake, OH 44012

Phone: (216) 440-3595
Alternate: (330) 348-3983
Fax: (440) 653-9883

1) Temple Architectural Products provides generic details for estimating purposes only and assumes no liability for the weather-tight integrity of these details.
2) Wood nailer or blocking must be installed to meet applicable building codes and/or support 200 LB load in any given direction per linear foot.

HEAD WALL ASSEMBLY - 2



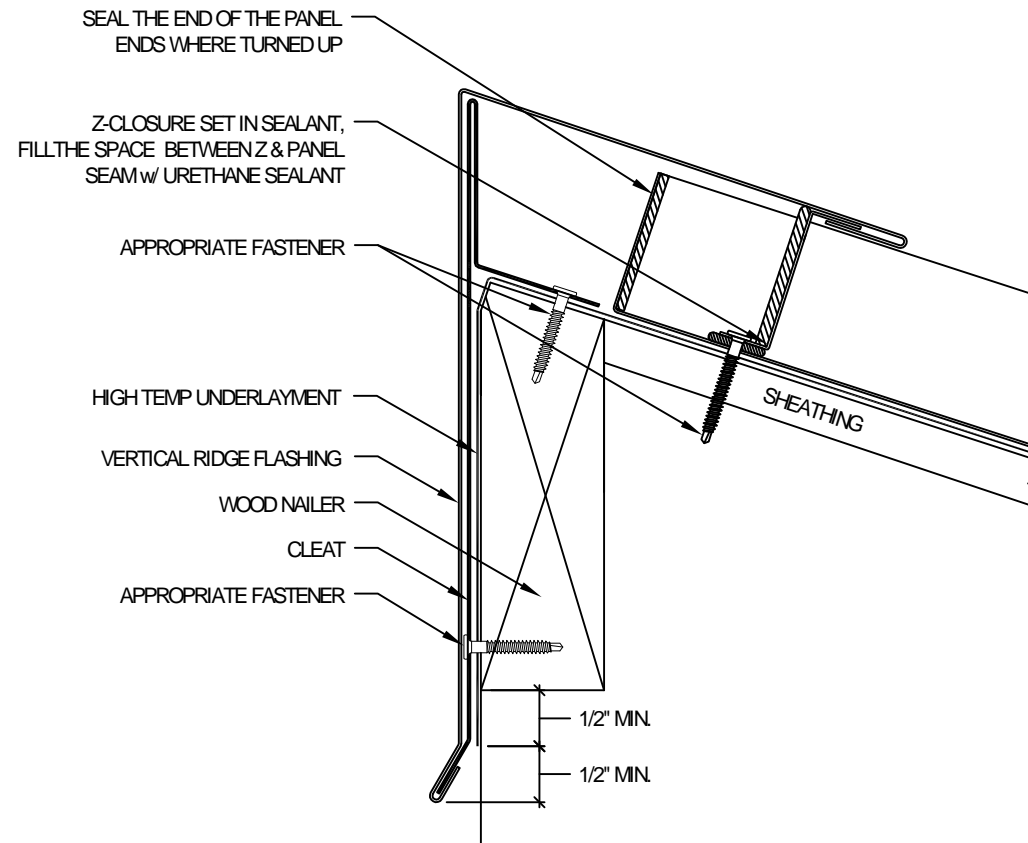
HW-2

Temple Architectural Products
638 Moore Rd
Avon Lake, OH 44012

Phone: (216) 440-3595
Alternate: (330) 348-3983
Fax: (440) 653-9883

1) Temple Architectural Products provides generic details for estimating purposes only and assumes no liability for the weather-tight integrity of these details.
2) Wood nailer or blocking must be installed to meet applicable building codes and/or support 200 LB load in any given direction per linear foot.

VERTICAL RIDGE ASSEMBLY - 1



HE-1

Temple Architectural Products
638 Moore Rd
Avon Lake, OH 44012

Phone: (216) 440-3595
Alternate: (330) 348-3983
Fax: (440) 653-9883

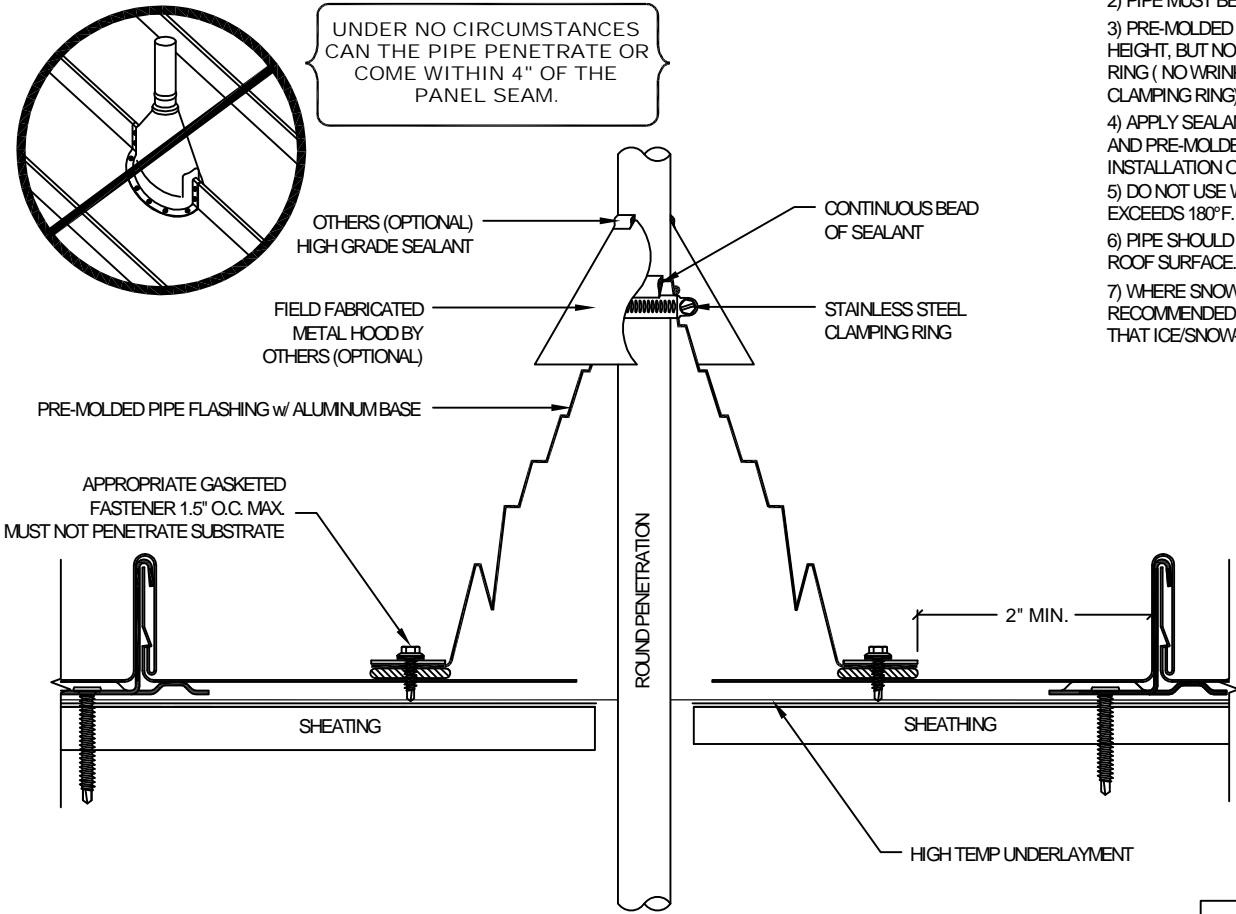
1) Temple Architectural Products provides generic details for estimating purposes only and assumes no liability for the weather-tight integrity of these details.
2) Wood nailer or blocking must be installed to meet applicable building codes and/or support 200 LB load in any given direction per linear foot.

ROUND PENETRATION ASSEMBLY - 1



CAUTIONS:

- 1) PIPE SURFACE MUST BE FREE OF ALL RUST, GREASE, INSULATION, FOREIGN DEBRIS, ETC.
- 2) PIPE MUST BE ANCHORED TO ENSURE STABILITY.
- 3) PRE-MOLDED PIPE FLASHING MAY BE CUT TO HEIGHT, BUT NO LOWER THAN REINFORCING RING (NO WRINKLES OR FOLDS UNDER CLAMPING RING).
- 4) APPLY SEALANT BETWEEN PENETRATION AND PRE-MOLDED PIPE FLASHING PRIOR TO INSTALLATION OF CLAMPING RING.
- 5) DO NOT USE WHEN SERVICE LINE TEMP. EXCEEDS 180°F.
- 6) PIPE SHOULD EXTEND A MINIMUM OF 8" ABOVE ROOF SURFACE.
- 7) WHERE SNOW AND ICE ARE COMMON, IT'S RECOMMENDED UP-SLOPE OF PENETRATIONS THAT ICE/SNOW-DAM PROTECTION IS USED



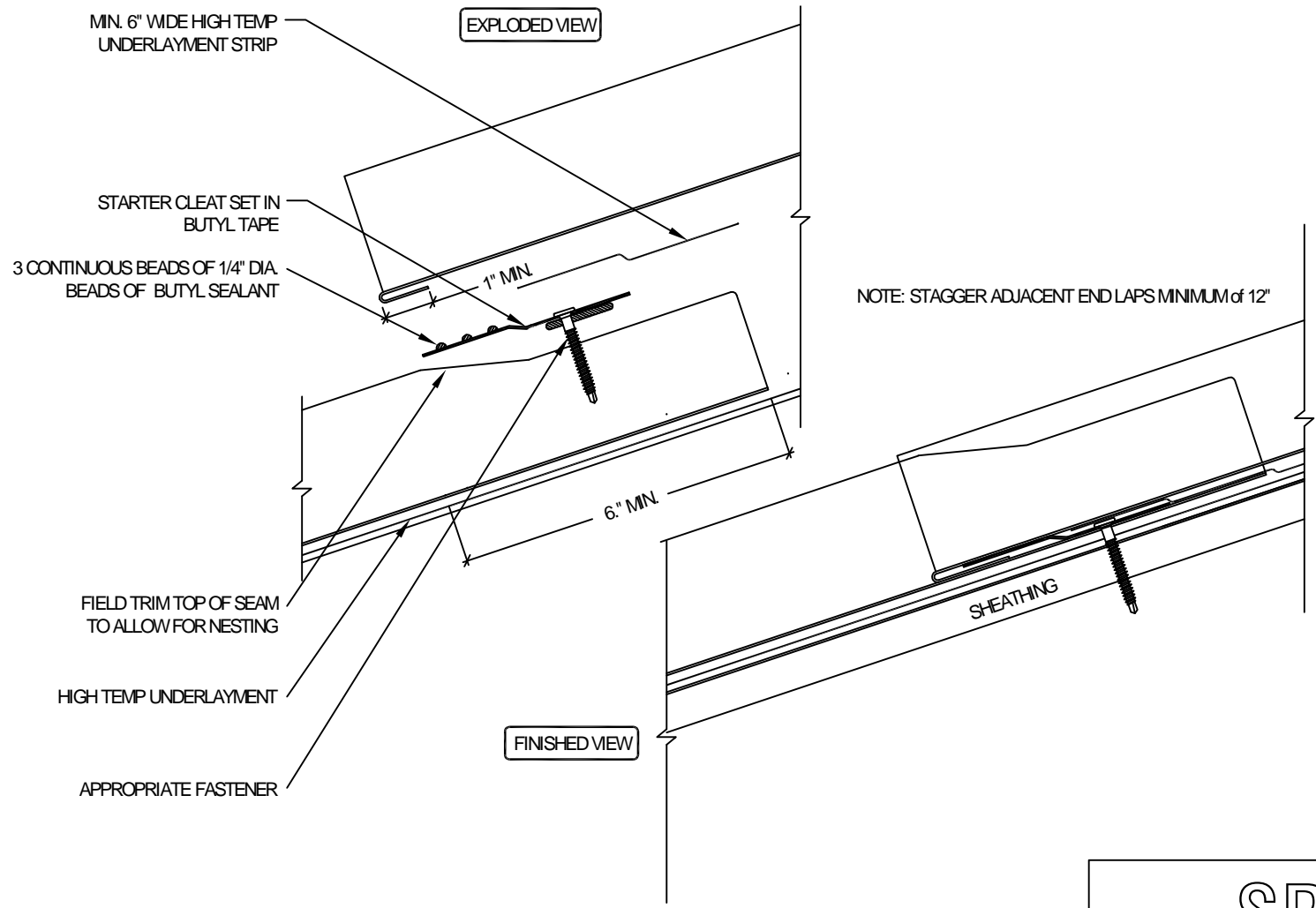
P-1

Temple Architectural Products
 638 Moore Rd
 Avon Lake, OH 44012

Phone: (216) 440-3595
 Alternate: (330) 348-3983
 Fax: (440) 653-9883

1) Temple Architectural Products provides generic details for estimating purposes only and assumes no liability for the weather-tight integrity of these details.
 2) Wood nailer or blocking must be installed to meet applicable building codes and/or support 200 LB load in any given direction per linear foot.

PANEL SPLICE ASSEMBLY - 1



SP-1

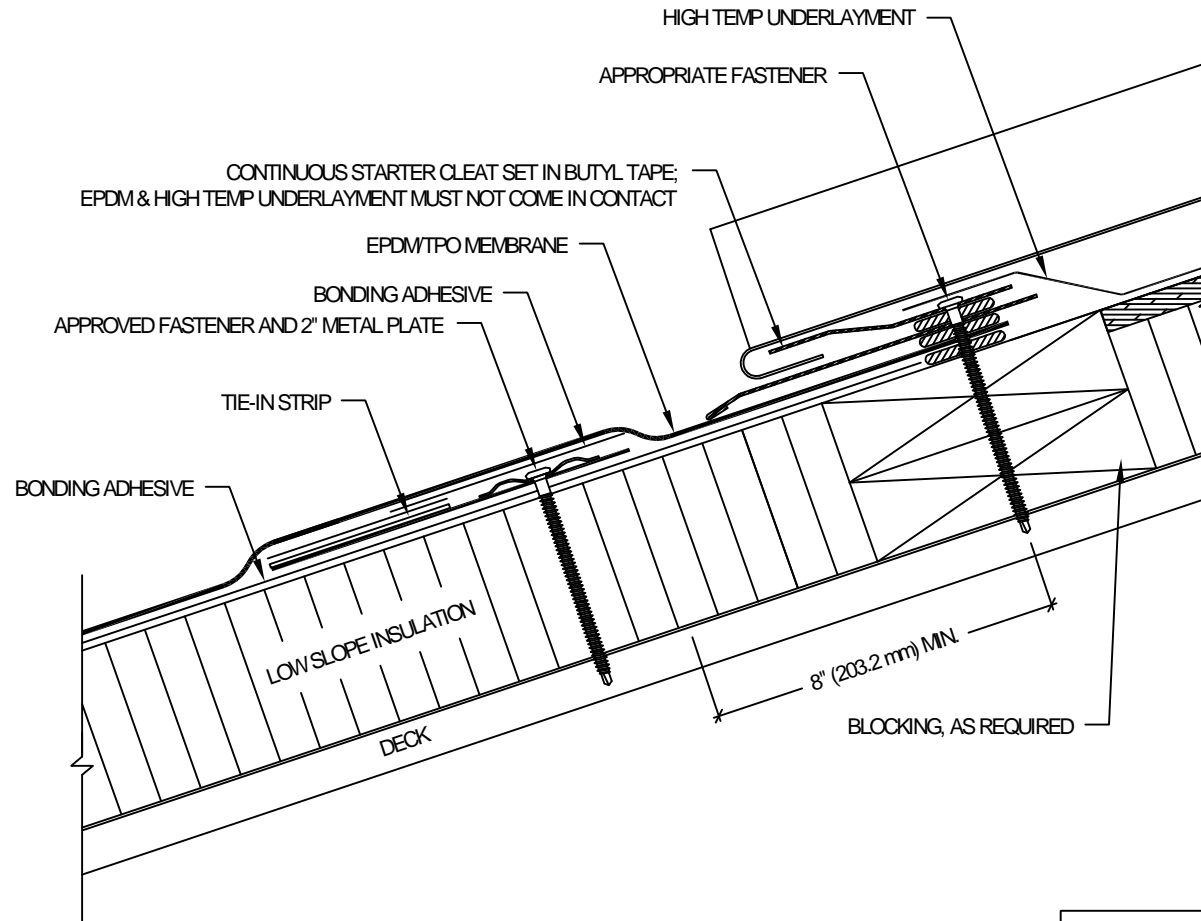
Temple Architectural Products
638 Moore Rd
Avon Lake, OH 44012

Phone: (216) 440-3595
Alternate: (330) 348-3983
Fax: (440) 653-9883

1) Temple Architectural Products provides generic details for estimating purposes only and assumes no liability for the weather-tight integrity of these details.
2) Wood nailer or blocking must be installed to meet applicable building codes and/or support 200 LB load in any given direction per linear foot.

LOW SLOPE TRANSITION ASSEMBLY - 1

TEMPLE
Architectural Products



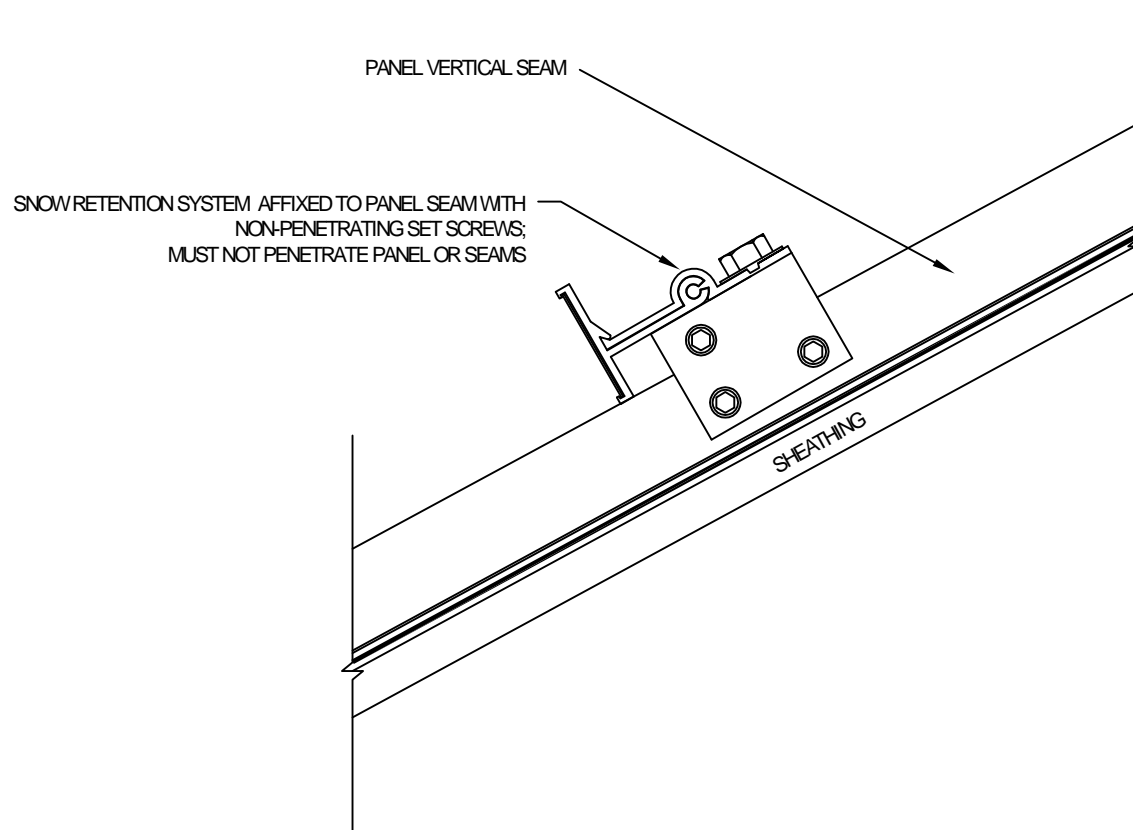
LST-1

Temple Architectural Products
638 Moore Rd
Avon Lake, OH 44012

Phone: (216) 440-3595
Alternate: (330) 348-3983
Fax: (440) 653-9883

- 1) Temple Architectural Products provides generic details for estimating purposes only and assumes no liability for the weather-tight integrity of these details.
- 2) Wood nailer or blocking must be installed to meet applicable building codes and/or support 200 LB load in any given direction per linear foot.

SNOW GUARD ASSEMBLY - 1



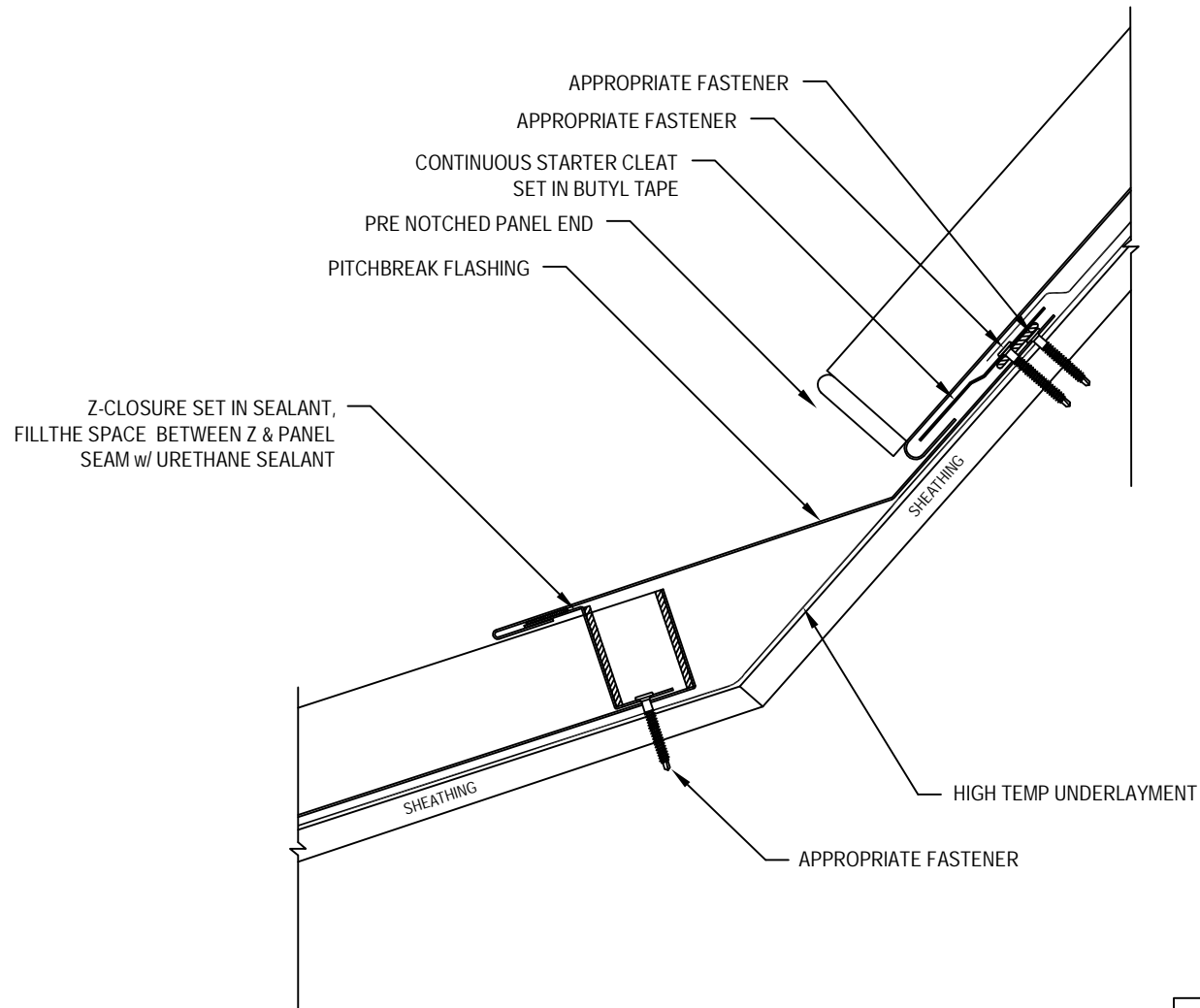
SG-1

Temple Architectural Products
638 Moore Rd
Avon Lake, OH 44012

Phone: (216) 440-3595
Alternate: (330) 348-3983
Fax: (440) 653-9883

1) Temple Architectural Products provides generic details for estimating purposes only and assumes no liability for the weather-tight integrity of these details.
2) Wood nailer or blocking must be installed to meet applicable building codes and/or support 200 LB load in any given direction per linear foot.

PITCH BRAKE ASSEMBLY - 1



PB-1

Temple Architectural Products
638 Moore Rd
Avon Lake, OH 44012

Phone: (216) 440-3595
Alternate: (330) 348-3983
Fax: (440) 653-9883

1) Temple Architectural Products provides generic details for estimating purposes only and assumes no liability for the weather-tight integrity of these details.
2) Wood nailer or blocking must be installed to meet applicable building codes and/or support 200 LB load in any given direction per linear foot.