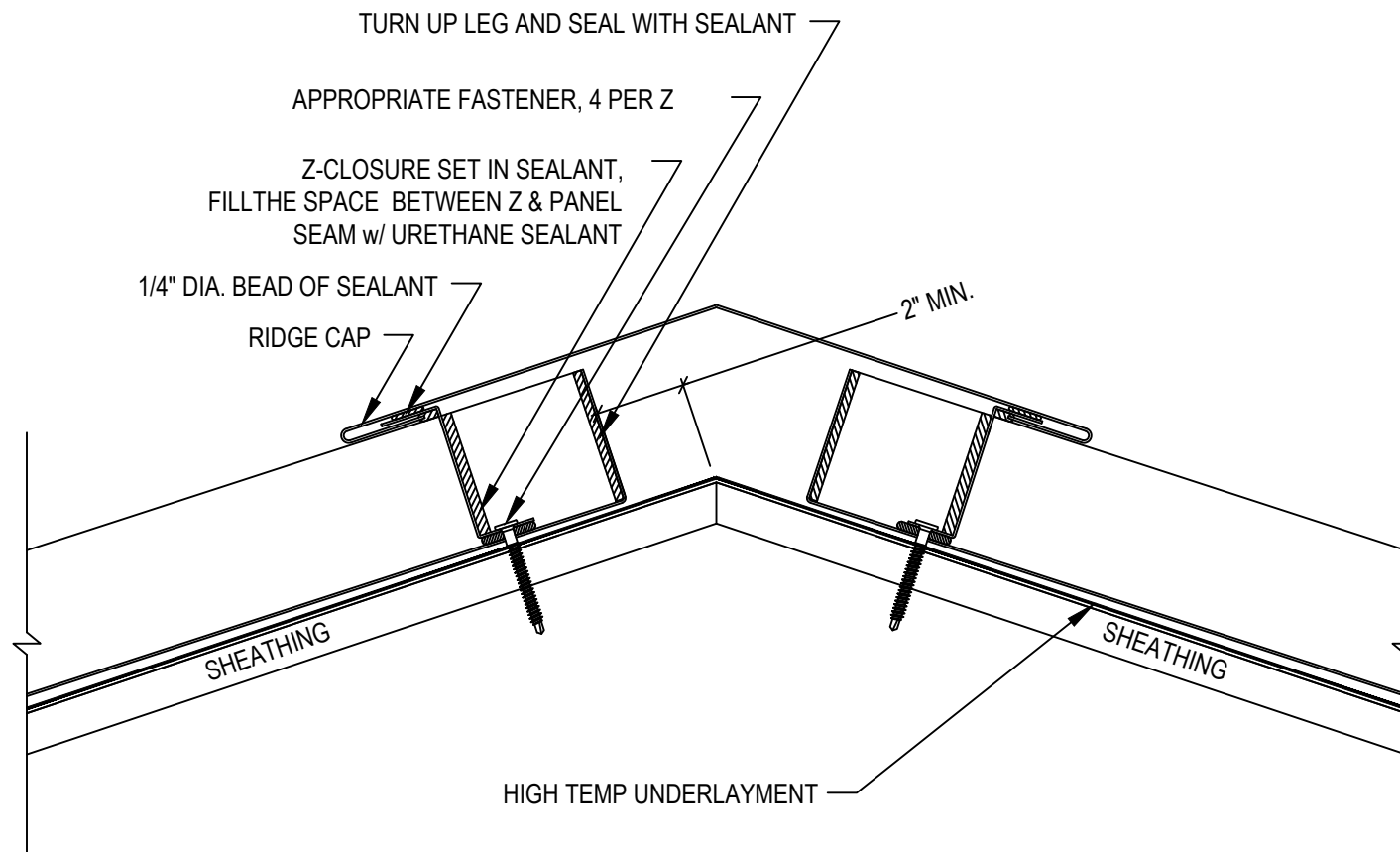


# RIDGE CAP ASSEMBLY - 1



**R-1**