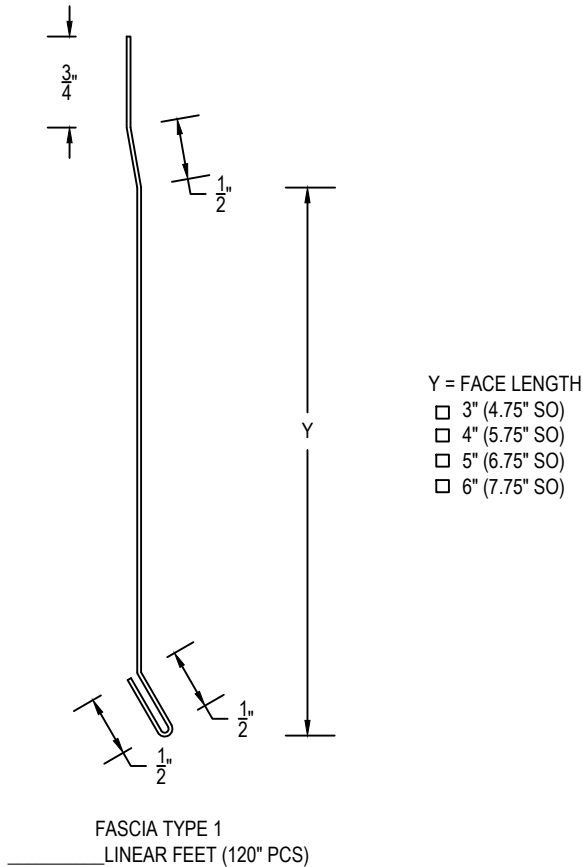


# FASCIA - TYPE 1

MATERIAL (please choose one):

- |                                      |                                    |                                    |
|--------------------------------------|------------------------------------|------------------------------------|
| <input type="checkbox"/> 24 GA Steel | <input type="checkbox"/> .032 Alum | <input type="checkbox"/> .050 Alum |
| <input type="checkbox"/> 22 GA Steel | <input type="checkbox"/> .040 Alum | <input type="checkbox"/> .063 Alum |

Color: \_\_\_\_\_ Finish: \_\_\_\_\_



Notes:

- 1) Ship To Address: \_\_\_\_\_  
City: \_\_\_\_\_ State: \_\_\_\_\_ Zip: \_\_\_\_\_
- 2) Written approval is required prior to fabrication, contractor is responsible for all dimensions and quantities. Fabricated items are not returnable.

Sheet \_\_\_ of \_\_\_. DWG# 710-014

Temple Architectural Products  
1111 Lowell St.  
Elyria, Ohio 44035

(440) 323-9393  
Estimates@templearchitecturalproducts.com  
www.templearchitecturalproducts.com

Project Name: \_\_\_\_\_

Installing Contractor: \_\_\_\_\_

Contact Name: \_\_\_\_\_

Contact number: \_\_\_\_\_

Signed Approval: \_\_\_\_\_