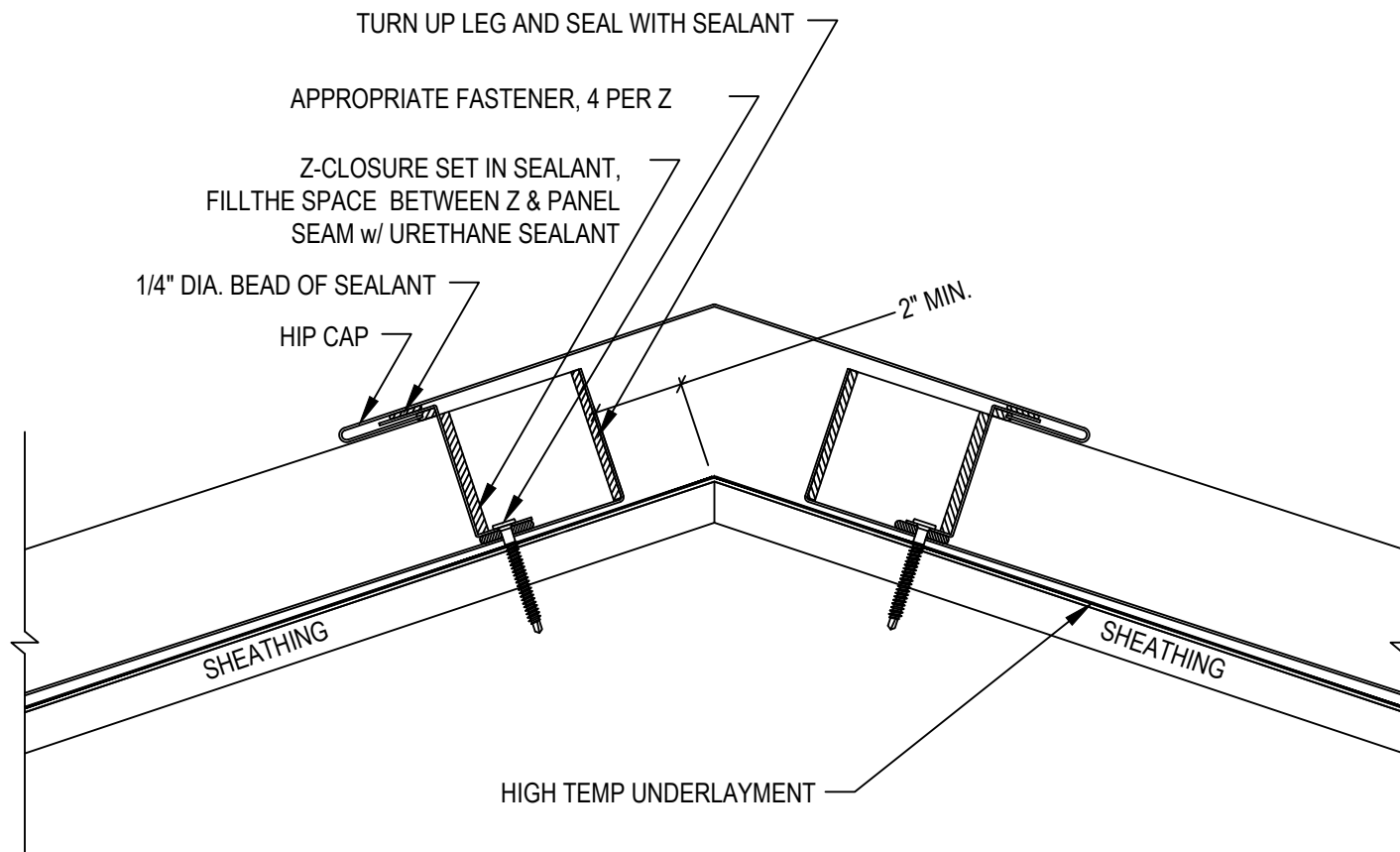


HIP CAP ASSEMBLY - 1



H-1