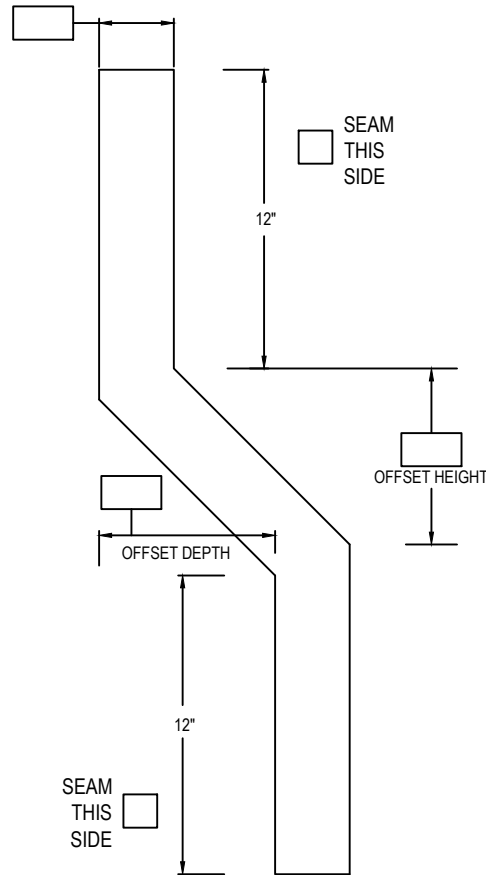
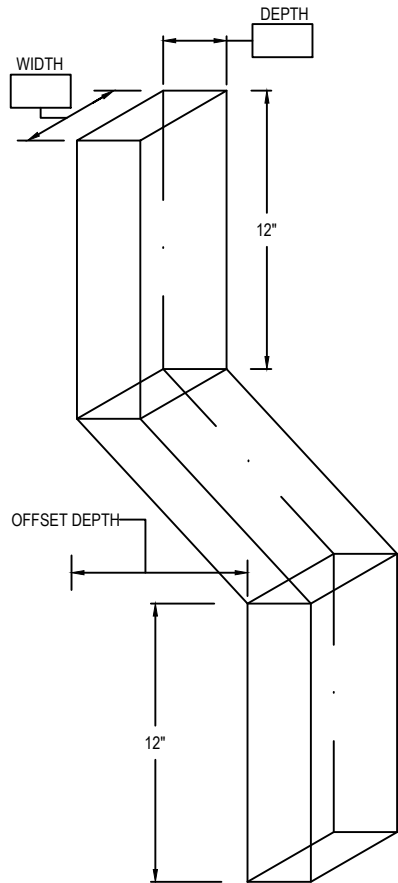


SMOOTH OFFSET DOWNSPOUT



MATERIAL (please choose one):

- | | |
|--------------------------------------|--|
| <input type="checkbox"/> 26 GA Steel | <input type="checkbox"/> .032 Aluminum |
| <input type="checkbox"/> 24 GA Steel | <input type="checkbox"/> .040 Aluminum |
| <input type="checkbox"/> 22 GA Steel | <input type="checkbox"/> .050 Aluminum |

Other: _____
 Color: _____
 Finish: _____

QUANTITIES:

_____ Quantity

- | | |
|----------------------------------|----------------------------------|
| <input type="checkbox"/> 3" X 4" | <input type="checkbox"/> 4" X 4" |
| <input type="checkbox"/> 4" X 5" | <input type="checkbox"/> 5" X 5" |
| <input type="checkbox"/> 5" X 6" | <input type="checkbox"/> 4" X 6" |
| <input type="checkbox"/> 6" X 6" | |

- | | |
|---|---|
| <input type="checkbox"/> TAPAERED
(TO FIT INTO EACH OTHER) | <input type="checkbox"/> STRAIGHT
(SAME SIZE AT BOTH ENDS) |
|---|---|

Sheet ___ of ___ . DWG# 700-017

Notes:

- 1) Written approval is required prior to fabrication, contractor is responsible for all dimensions and quantities. Fabricated items are not returnable.
- 2) Parts are in lengths of 120" each.

Project Name: _____

Installing Contractor: _____

Contact Name: _____

Contact number: _____

Signed Approval: _____

Temple Architectural Products
 1111 Lowell St.
 Elyria, Ohio 44035

(440) 323-9393
 Estimates@templearchitecturalproducts.com
 www.templearchitecturalproducts.com