

1.5 STANDARD TRIM

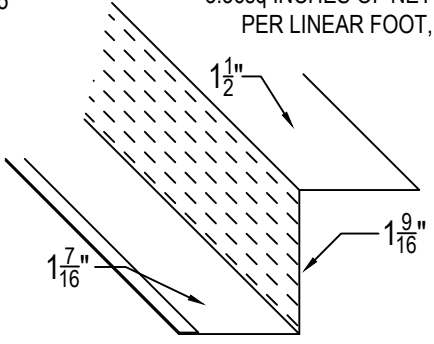
MATERIAL (please choose one):

- | | | |
|--------------------------------------|--------------------------------------|------------------------------------|
| <input type="checkbox"/> 26 GA Steel | <input type="checkbox"/> 22 GA Steel | <input type="checkbox"/> .040 Alum |
| <input type="checkbox"/> 24 GA Steel | <input type="checkbox"/> .032 Alum | <input type="checkbox"/> .050 Alum |

Color: _____ Finish: _____

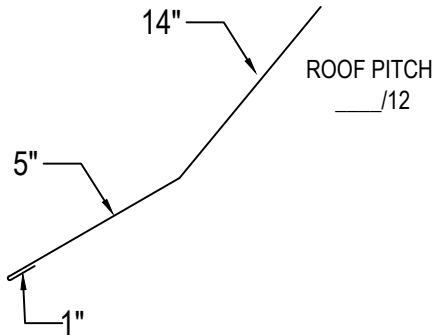


721-005 3.36sq INCHES OF NET OPEN SPACE PER LINEAR FOOT, PER SIDE



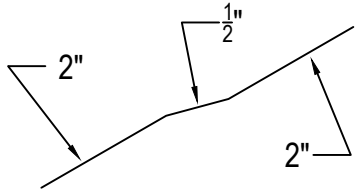
STANDING SEAM VENTED Z-FLASHING
_____ LINEAR FEET (120" PCS)

722-005



STANDING SEAM TRANSITION FLASHING
_____ LINEAR FEET (120" PCS)

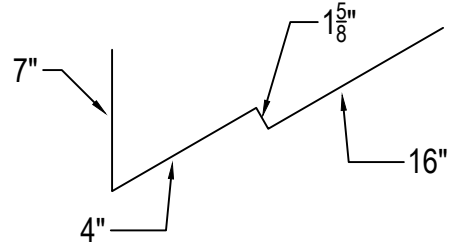
723-005



STANDING SEAM TRANSITION CLEAT
_____ LINEAR FEET (120" PCS)

724-005

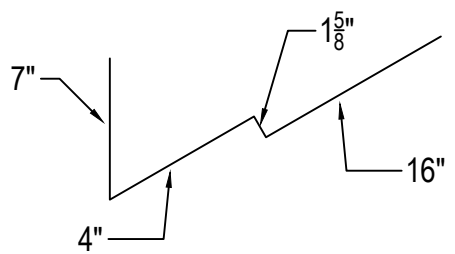
ROOF PITCH ___/12



STANDING SEAM CHIMNEY BACK
_____ LINEAR FEET (120" PCS)

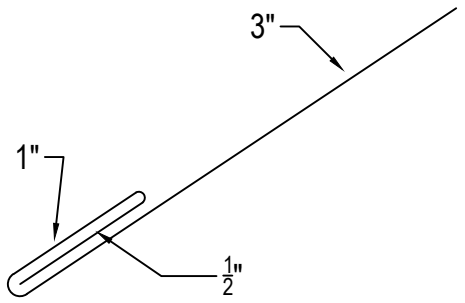
725-005

ROOF PITCH ___/12



STANDING SEAM SKYLIGHT BACK
_____ LINEAR FEET (120" PCS)

726-005



STANDING SEAM RAKE EDGE J-CHANNEL
_____ LINEAR FEET (120" PCS)

Notes:
1) Ship To Address: _____
City: _____ State: _____ Zip: _____
2) Written approval is required prior to fabrication, contractor is responsible for all dimensions and quantities. Fabricated items are not returnable.

Project Name: _____
Installing Contractor: _____
Contact Name: _____
Contact number: _____
Signed Approval: _____

Sheet ___ of ___. DWG# 720-007

Temple Architectural Products
1111 Lowell St.
Elyria, Ohio 44035

(440) 323-9393
Estimates@templearchitecturalproducts.com
www.templearchitecturalproducts.com