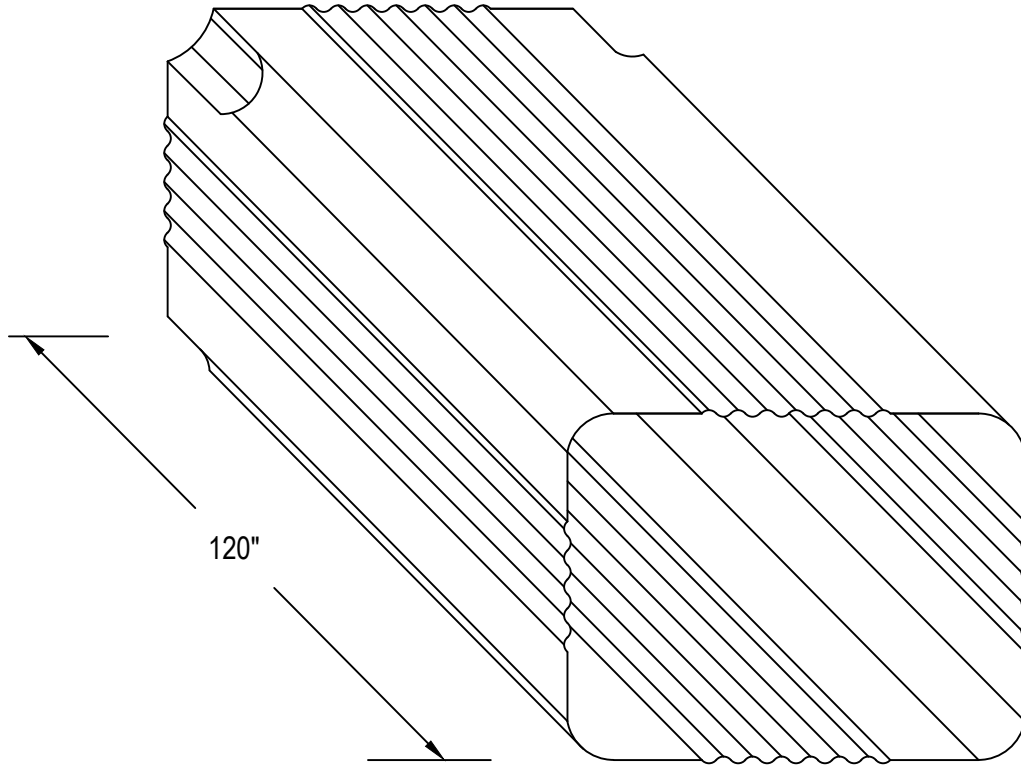


CORRUGATED DOWNSPOUT



MATERIAL (please choose one):

- | | |
|--------------------------------------|--|
| <input type="checkbox"/> 24 GA Steel | <input type="checkbox"/> .032 Aluminum |
| <input type="checkbox"/> 22 GA Steel | <input type="checkbox"/> .040 Aluminum |

Color: _____
Finish: _____

QUANTITIES:

_____ Linear Feet (120" Long parts)
_____ Outlets

- | | |
|----------------------------------|----------------------------------|
| <input type="checkbox"/> 3" X 4" | <input type="checkbox"/> 4" X 5" |
|----------------------------------|----------------------------------|

24 ga stocked colors:
1) Regal White
2) Medium Bronze
3) Dark Bronze
Other colors available upon request

Sheet ___ of ___. DWG# 700-006

Notes:

- 1) Written approval is required prior to fabrication, contractor is responsible for all dimensions and quantities. Fabricated items are not returnable.
- 2) Parts are in lengths of 120" each.
- 3) One end is crimped to allow lapping.

Project Name: _____

Installing Contractor: _____

Contact Name: _____

Contact number: _____

Signed Approval: _____

Temple Architectural Products
1111 Lowell St.
Elyria, Ohio 44035

(440) 323-9393
Estimates@templearchitecturalproducts.com
www.templearchitecturalproducts.com