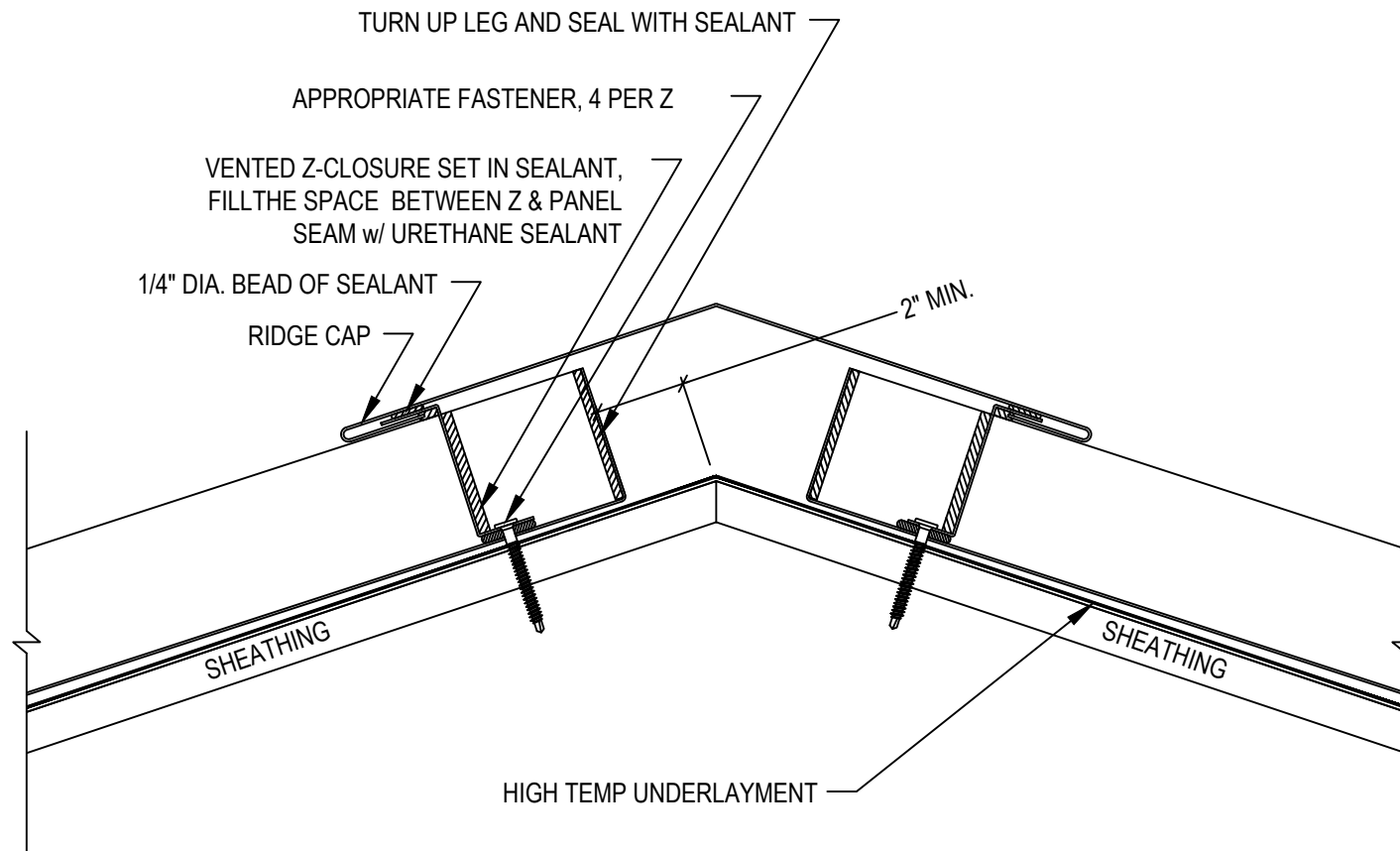


VENTED RIDGE CAP ASSEMBLY - 1



VR-1

Temple Architectural Products
1111 Lowell St.
Elyria, Ohio 44035

(440) 323-9393
Estimates@templearchitecturalproducts.com
www.templearchitecturalproducts.com

- 1) Temple Architectural Products provides generic details for estimating purposes only and assumes no liability for the weather-tight integrity of these details if installed incorrectly.
- 2) Wood nailer or blocking must be installed to meet applicable building codes and/or support 200 LB load in any given direction per linear foot.