

# OUTSIDE 6" OGEE GUTTER MITER



MATERIAL (please choose one):

24 GA Steel

.032 Aluminum

Other: \_\_\_\_\_

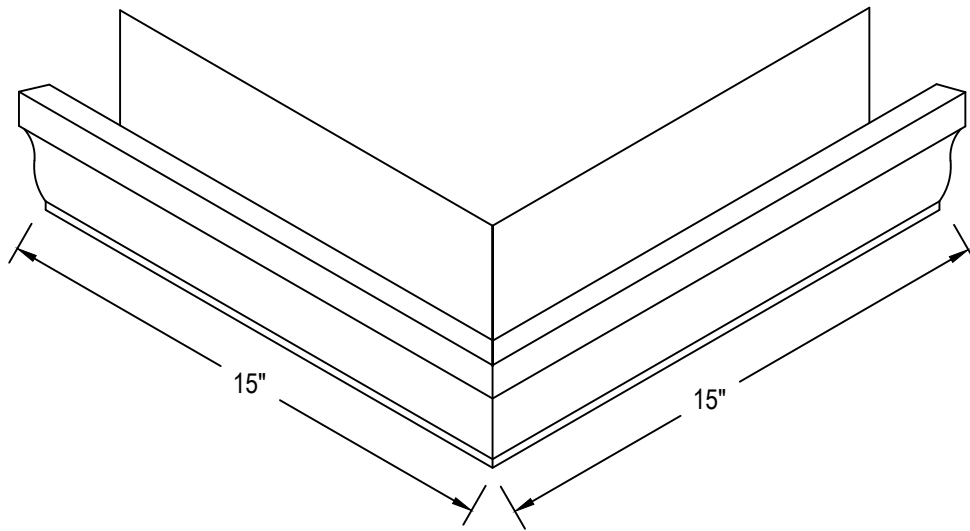
Color: \_\_\_\_\_

Finish: \_\_\_\_\_

QUANTITIES:

\_\_\_\_\_ Outside Miter(s): \_\_\_\_\_ Degrees

\_\_\_\_\_ Brackets



SEAMLESS GUTTER PROFILE

Sheet \_\_\_ of \_\_\_.

DWG# 700-0011

Notes:

- 1) Written approval is required prior to fabrication, contractor is responsible for all dimensions and quantities. Fabricated items are not returnable.
- 2) Gutter brackets are to be installed at 24" O/C.
- 3) Expansion joints are available.
- 4) Sections shipped up to 50'-0", site formed over 50'-0".

Project Name: \_\_\_\_\_

Installing Contractor: \_\_\_\_\_

Contact Name: \_\_\_\_\_

Contact number: \_\_\_\_\_

Signed Approval: \_\_\_\_\_

Temple Architectural Products  
1111 Lowell St.  
Elyria, Ohio 44035

(440) 323-9393  
Estimates@templearchitecturalproducts.com  
www.templearchitecturalproducts.com