

VENTED FASCIA ASSEMBLY ELEVATION



FACE MATERIAL (please choose one):

- | | |
|--------------------------------------|--|
| <input type="checkbox"/> 24 GA Steel | <input type="checkbox"/> .032 Aluminum |
| <input type="checkbox"/> 22 GA Steel | <input type="checkbox"/> .040 Aluminum |

Other: _____
 Color: _____
 Finish: _____

FRAME MATERIAL (please choose one, mill finish):

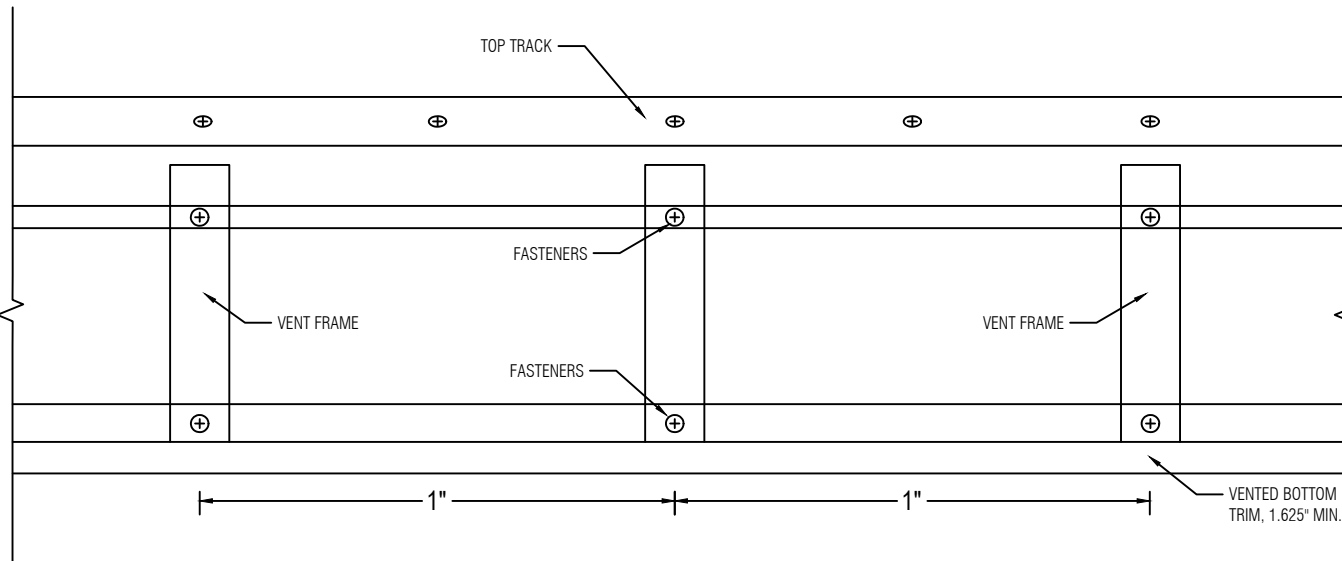
- | | |
|--------------------------------------|--------------------------------------|
| <input type="checkbox"/> 24 GA Steel | <input type="checkbox"/> 20 GA Steel |
| <input type="checkbox"/> 22 GA Steel | <input type="checkbox"/> 18 GA Steel |

QUANTITIES:

_____ Total Linear Feet (10'-0" Lengths)
 _____ Outside Miter(s): _____ Degrees
 _____ Inside Miter(s): _____ Degrees

Sheet ___ of ___.

DWG# 750-002



Notes:

1) Written approval is required prior to fabrication, contractor is responsible for all dimensions and quantities. Fabricated items are not returnable.

Project Name: _____

Installing Contractor: _____

Contact Name: _____

Contact number: _____

Signed Approval: _____

Temple Architectural Products
 1111 Lowell St.
 Elyria, Ohio 44035

(440) 323-9393
 Estimates@templearchitecturalproducts.com
 www.templearchitecturalproducts.com