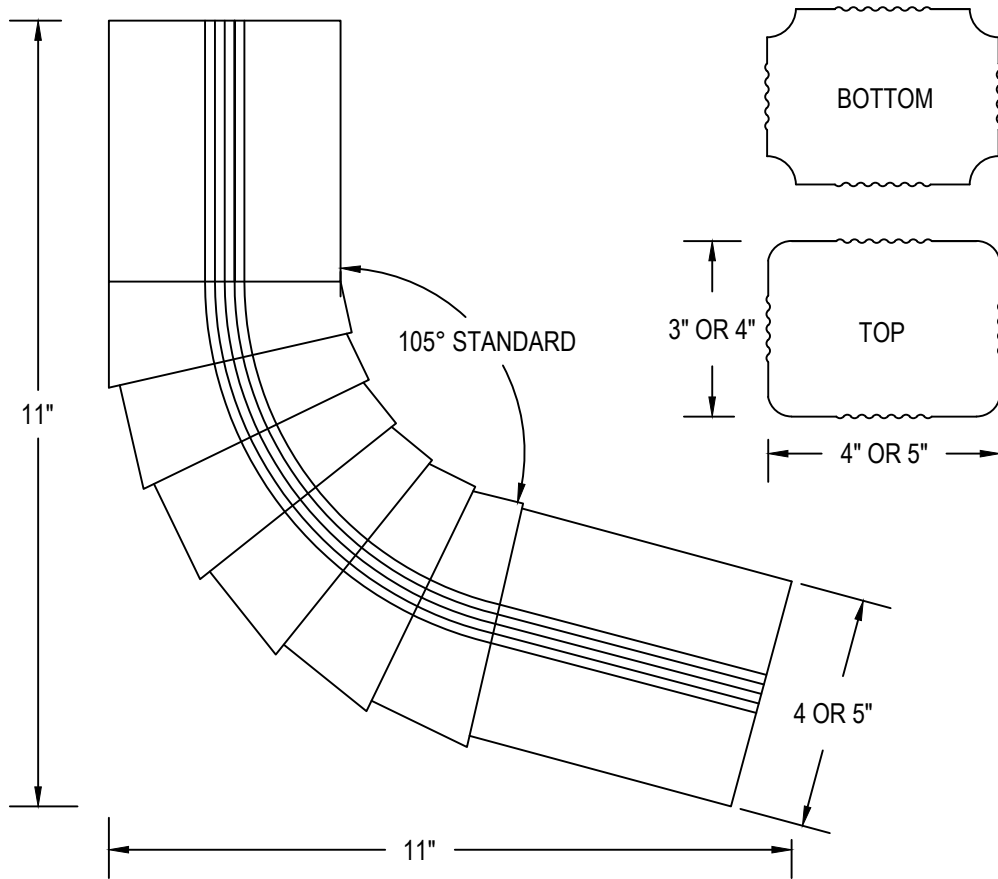


# CORRUGATED "B" ELBOW



MATERIAL (please choose one):

- |                                      |  |
|--------------------------------------|--|
| <input type="checkbox"/> 24 GA Steel | <input type="checkbox"/> .032 Aluminum |
| <input type="checkbox"/> 22 GA Steel | <input type="checkbox"/> .040 Aluminum |

Color: \_\_\_\_\_  
Finish: \_\_\_\_\_

QUANTITIES:

\_\_\_\_\_ Units  
\_\_\_\_\_ Outlets

- |                                  |                                  |
|----------------------------------|----------------------------------|
| <input type="checkbox"/> 3" X 4" | <input type="checkbox"/> 4" X 5" |
|----------------------------------|----------------------------------|

24 ga stocked colors:  
1) Regal White  
2) Medium Bronze  
3) Dark Bronze  
Other colors available upon request

Sheet \_\_\_ of \_\_\_

DWG# 700-008

Notes:

- 1) Written approval is required prior to fabrication, contractor is responsible for all dimensions and quantities. Fabricated items are not returnable.
- 2) Parts are in lengths of 120" each.

Project Name: \_\_\_\_\_

Installing Contractor: \_\_\_\_\_

Contact Name: \_\_\_\_\_

Contact number: \_\_\_\_\_

Signed Approval: \_\_\_\_\_

Temple Architectural Products  
1111 Lowell St.  
Elyria, Ohio 44035

(440) 323-9393  
Estimates@templearchitecturalproducts.com  
www.templearchitecturalproducts.com