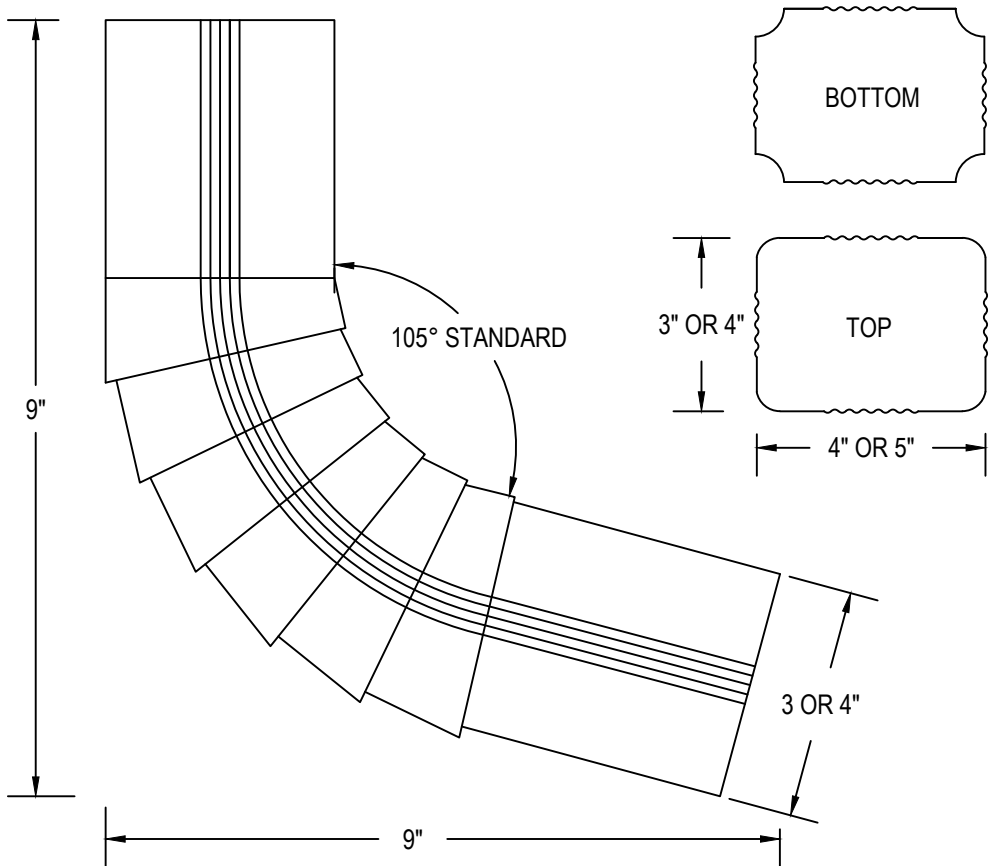


CORRUGATED "A" ELBOW



MATERIAL (please choose one):

- | | |
|--------------------------------------|--|
| <input type="checkbox"/> 24 GA Steel | <input type="checkbox"/> .032 Aluminum |
| <input type="checkbox"/> 22 GA Steel | <input type="checkbox"/> .040 Aluminum |

Color: _____
 Finish: _____

QUANTITIES:

_____ Units
 _____ Outlets

- | | |
|----------------------------------|----------------------------------|
| <input type="checkbox"/> 3" X 4" | <input type="checkbox"/> 4" X 5" |
|----------------------------------|----------------------------------|

24 ga stocked colors:
 1) Regal White
 2) Medium Bronze
 3) Dark Bronze
 Other colors available upon request

Sheet ___ of ___ . DWG# 700-007

Notes:
 1) Written approval is required prior to fabrication, contractor is responsible for all dimensions and quantities. Fabricated items are not returnable.
 2) Parts are in lengths of 120" each.

Project Name: _____
 Installing Contractor: _____
 Contact Name: _____
 Contact number: _____
 Signed Approval: _____

Temple Architectural Products
 1111 Lowell St.
 Elyria, Ohio 44035

(440) 323-9393
 Estimates@templearchitecturalproducts.com
 www.templearchitecturalproducts.com