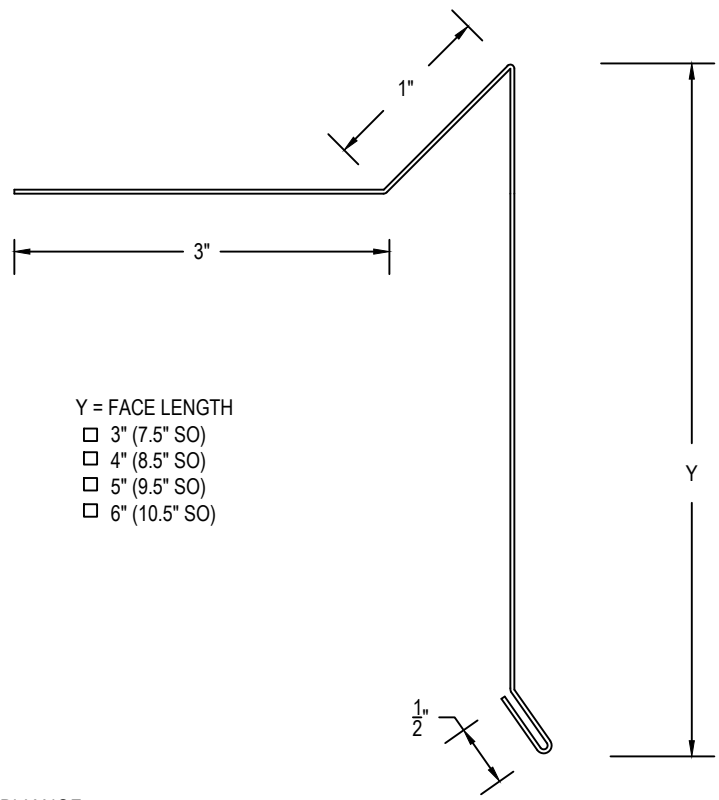


STANDARD GRAVEL STOP



- Y = FACE LENGTH
- 3" (7.5" SO)
 - 4" (8.5" SO)
 - 5" (9.5" SO)
 - 6" (10.5" SO)

ANSI/SPRI/FM4435 ES-1 COMPLIANCE
REQUIRES CLEAT AND FASTENERS.

MATERIAL (please choose one):

- | | |
|--|--|
| <input type="checkbox"/> 24 GA Steel | <input type="checkbox"/> .040 Aluminum |
| <input type="checkbox"/> 22 GA Steel | <input type="checkbox"/> .050 Aluminum |
| <input type="checkbox"/> .032 Aluminum | <input type="checkbox"/> .063 Aluminum |

Other: _____
 Color: _____
 Finish: _____

QUANTITIES:

_____ Total Linear Feet (10'-0" Lengths)
 _____ Outside Miter(s): _____ Degrees
 _____ Inside Miter(s): _____ Degrees

Miter/End Cap Fabrication Requirements:

- Pop Rivet & Sealed Welded (see note)*

Installation:
 1) Fastened at 6" O/C minimum or otherwise noted.
 2) 1.5" SS Ring Shank nails, minimum
 3) Splice plates require 2 beads of sealant per side at splice

Sheet ___ of ___ DWG# 730-004

Notes:
 1) *Accessory Welding is only available in .050 aluminum or heavier.
 2) 6" wide slip joints are provided (1 per 10'-0" pc/2 per miter).
 3) External splice plates are available upon request.
 4) Written approval is required prior to fabrication, contractor is responsible for all dimensions and quantities. Fabricated items are not returnable.

Project Name: _____
 Installing Contractor: _____
 Contact Name: _____
 Contact number: _____
 Signed Approval: _____

Temple Architectural Products
 1111 Lowell St.
 Elyria, Ohio 44035

(440) 323-9393
 Estimates@templearchitecturalproducts.com
 www.templearchitecturalproducts.com