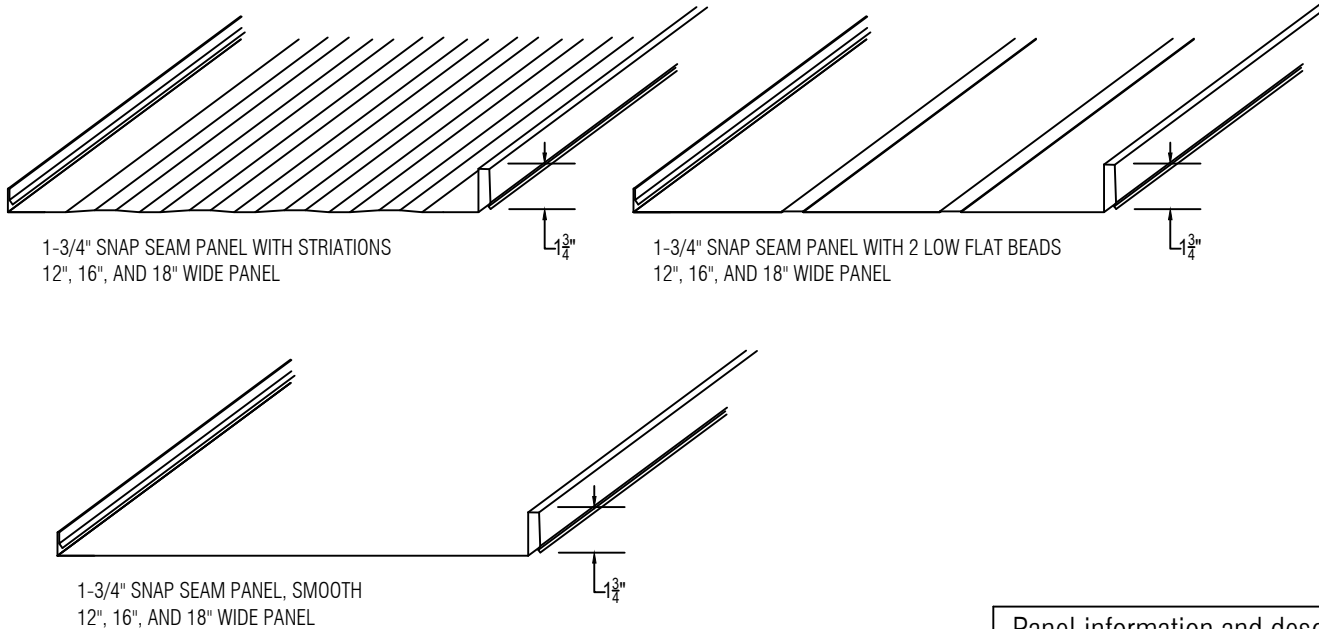
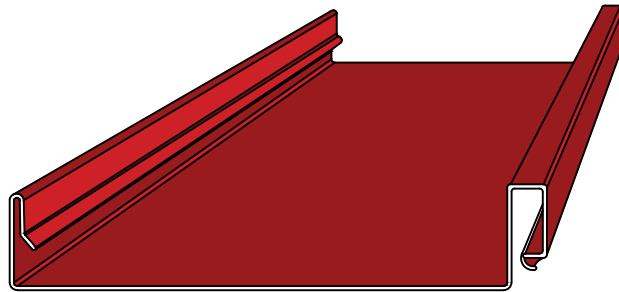


1.75" SNAP SEAM PANEL



Available Material

Steel: 26 ga, 24 ga, 22 ga
Aluminum: .032
Copper: 16 oz, 20 oz

Standard and Metallic Colors: 29
Available Finishes: Kynar 500/Hylar 5000, SP

Test Data:

- Wind Uplift UL580.....Class 90
- Uplift.....UL1897
- Fire.....UL Class A
- Hail.....UL Class 4
- Water Infiltration.....ASTM E 1646
- Air Infiltration.....ASTM E 1680
- Impact.....UL 2218
- FBC Non-HVHZ.....FL18316
- Uniform Static Pressure....1592
- Texas Dept of Insurance....RC-387,388,389
- Minimum Pitch.....2 : 12
- Custom widths available upon request

Notes:

- Panels install with clip to allow unrestricted thermal movement; spacing is dependent on uplift requirements and panel material used. Clips are available in galvanized steel or stainless steel, fixed or floating.
- It is recommended to use stiffener beads or striations for wider panel faces in order to minimize "oil canning". Oil canning is not a cause for rejection.

Panel information and description:

TIS: 720-006

The Snap Seam Panel offers a concealed clip and a strong snap seam that allows for thermal movement due to changes in ambient temperatures. The seam configuration allows for a weather tight seal that has proven durability in any weather conditions. The panel can be installed over solid substrates or over open perlin (upon review). High temperature underlayment is required when used over solid substrate applications. Many of the colors are Energy Star compliant; see color chart for applicable data and colors. Custom colors are available upon request (minimum and overages will apply). Weather Tight Warranties are available upon review of drawings and project requirements.

Temple Architectural Products
1111 Lowell St.
Elyria, Ohio 44035

(440) 323-9393
Estimates@templearchitecturalproducts.com
www.templearchitecturalproducts.com