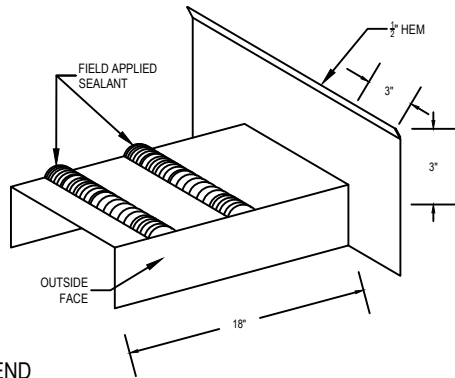
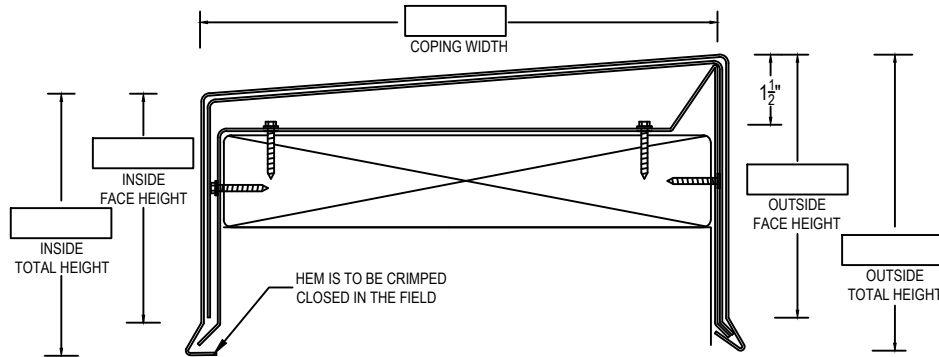
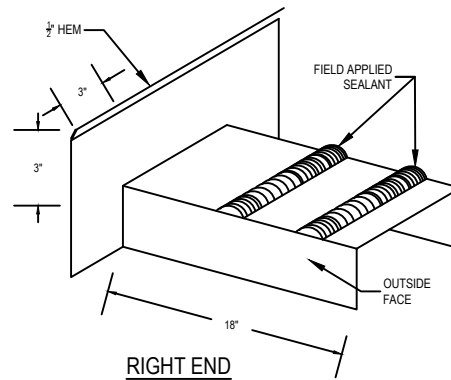


# END WALL SLIP JOINT, TAPERED COPING



LEFT END



RIGHT END

SPECIFIED DIRECTION FROM ROOF SIDE

MATERIAL (please choose one):

- |  |  |
|--|--|
| <input type="checkbox"/> 24 GA Steel   | <input type="checkbox"/> .040 Aluminum |
| <input type="checkbox"/> 22 GA Steel   | <input type="checkbox"/> .050 Aluminum |
| <input type="checkbox"/> .032 Aluminum | <input type="checkbox"/> .063 Aluminum |

Other: \_\_\_\_\_  
 Color: \_\_\_\_\_  
 Finish: \_\_\_\_\_

QUANTITIES:

\_\_\_\_\_ Right Joint(s)  
 \_\_\_\_\_ Left End Joint(s)

Miter/End Cap Fabrication Requirements:

- |   |   |
|---|---|
| <input type="checkbox"/> Pop Rivet & Sealed | <input type="checkbox"/> Welded (see note)* |
|---|---|

Installation:

- 1) Cleats are to be installed 40" O/C, coping hem crimped to cleat
- 2) 8 - 1.5" SS Ring Shank nails per cleat, minimum
- 3) Splice plates require 2 beads of sealant per side of coping

Sheet \_\_\_ of \_\_\_

DWG# 740-007

Notes:

- 1) \*Accessory Welding is only available in .050 aluminum or heavier.
- 2) External splice plates are available upon request.
- 3) Written approval is required prior to fabrication, contractor is responsible for all dimensions and quantities. Fabricated items are not returnable.

Project Name: \_\_\_\_\_

Installing Contractor: \_\_\_\_\_

Contact Name: \_\_\_\_\_

Contact number: \_\_\_\_\_

Signed Approval: \_\_\_\_\_

Temple Architectural Products  
 1111 Lowell St.  
 Elyria, Ohio 44035

(440) 323-9393  
 Estimates@templearchitecturalproducts.com  
 www.templearchitecturalproducts.com