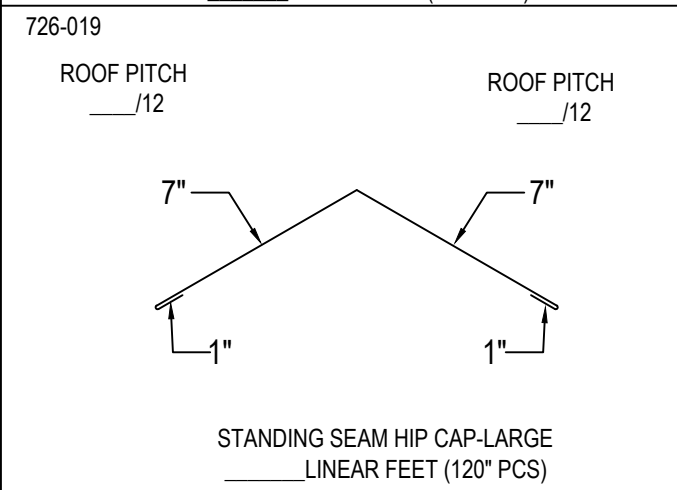
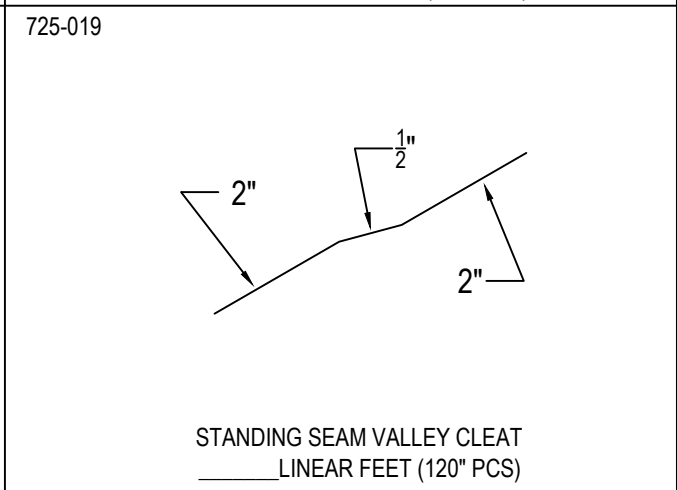
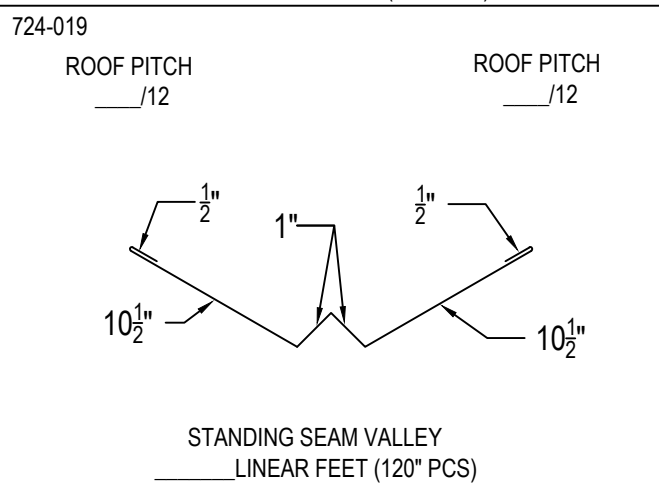
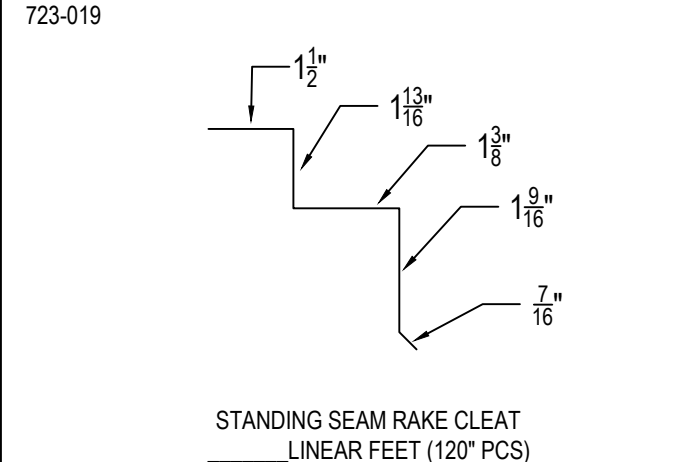
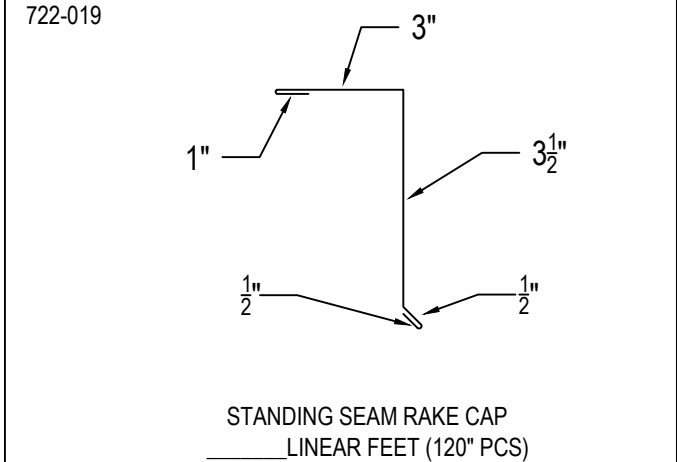
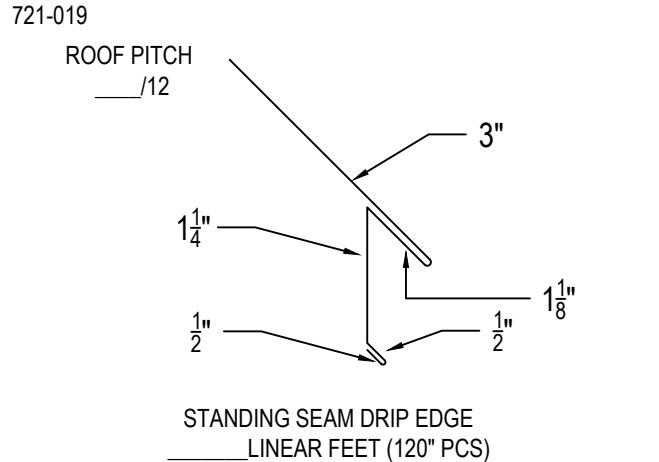


# 1.75 STANDARD TRIM

MATERIAL (please choose one):

- |                                      |                                      |                                    |
|--------------------------------------|--------------------------------------|------------------------------------|
| <input type="checkbox"/> 26 GA Steel | <input type="checkbox"/> 22 GA Steel | <input type="checkbox"/> .040 Alum |
| <input type="checkbox"/> 24 GA Steel | <input type="checkbox"/> .032 Alum   | <input type="checkbox"/> .050 Alum |

Color: \_\_\_\_\_ Finish: \_\_\_\_\_



Notes:

1) Ship To Address: \_\_\_\_\_  
 City: \_\_\_\_\_ State: \_\_\_\_\_ Zip: \_\_\_\_\_

2) Written approval is required prior to fabrication, contractor is responsible for all dimensions and quantities. Fabricated items are not returnable.

Project Name: \_\_\_\_\_

Installing Contractor: \_\_\_\_\_

Contact Name: \_\_\_\_\_

Contact number: \_\_\_\_\_

Signed Approval: \_\_\_\_\_

Sheet \_\_\_\_ of \_\_\_\_ DWG# 720-019

Temple Architectural Products  
 1111 Lowell St.  
 Elyria, Ohio 44035

(440) 323-9393  
 Estimates@templearchitecturalproducts.com  
 www.templearchitecturalproducts.com