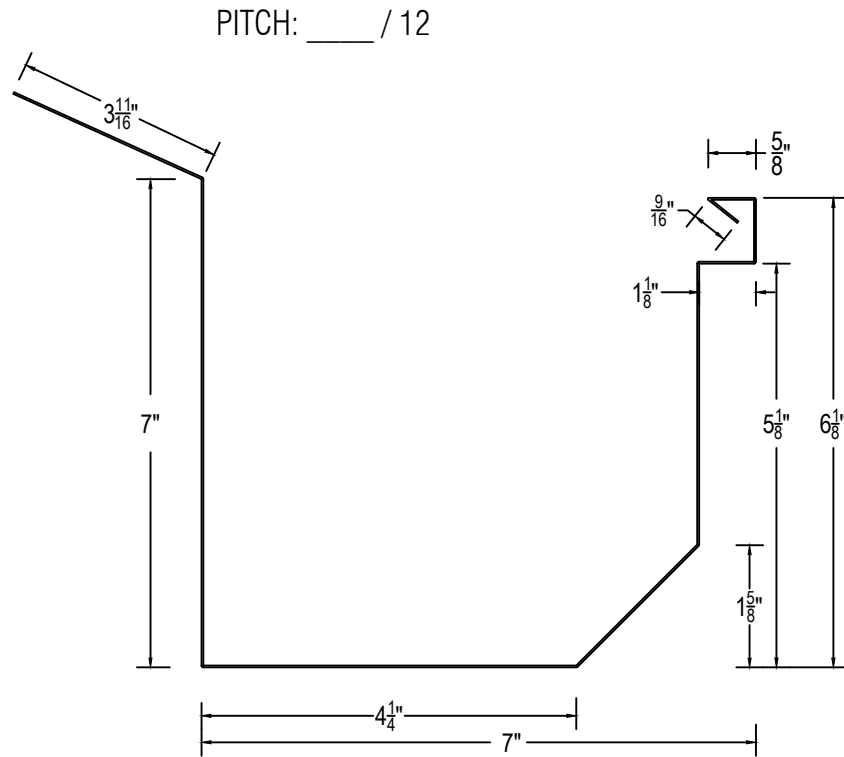


CUSTOM FLANGE GUTTER (120")



MATERIAL (please choose one):

- | | |
|--|--|
| <input type="checkbox"/> 24 GA Steel | <input type="checkbox"/> .040 Aluminum |
| <input type="checkbox"/> 22 GA Steel | <input type="checkbox"/> .050 Aluminum |
| <input type="checkbox"/> .032 Aluminum | <input type="checkbox"/> .063 Aluminum |

Other: _____
 Color: _____
 Finish: _____

QUANTITIES:

_____ Total Linear Feet (10'-0" Lengths)
 _____ Outside Miter(s): _____ Degrees
 _____ Inside Miter(s): _____ Degrees
 _____ Right End Cap(s)
 _____ Left End Cap(s)
 _____ Brackets _____ 2" Screws

24 ga stocked colors:
 1) Regal White
 2) Medium Bronze
 3) Dark Bronze
 Other colors available upon request

Sheet ____ of ____.

DWG# 700-012

Notes:

- 1) 6" wide slip joints are provided (1 per 10'-0" pc/2 per miter).
- 2) External splice plates are available upon request.
- 3) Written approval is required prior to fabrication, contractor is responsible for all dimensions and quantities. Fabricated items are not returnable.

Project Name: _____

Installing Contractor: _____

Contact Name: _____

Contact number: _____

Signed Approval: _____

Temple Architectural Products
 1111 Lowell St.
 Elyria, Ohio 44035

(440) 323-9393
 Estimates@templearchitecturalproducts.com
 www.templearchitecturalproducts.com