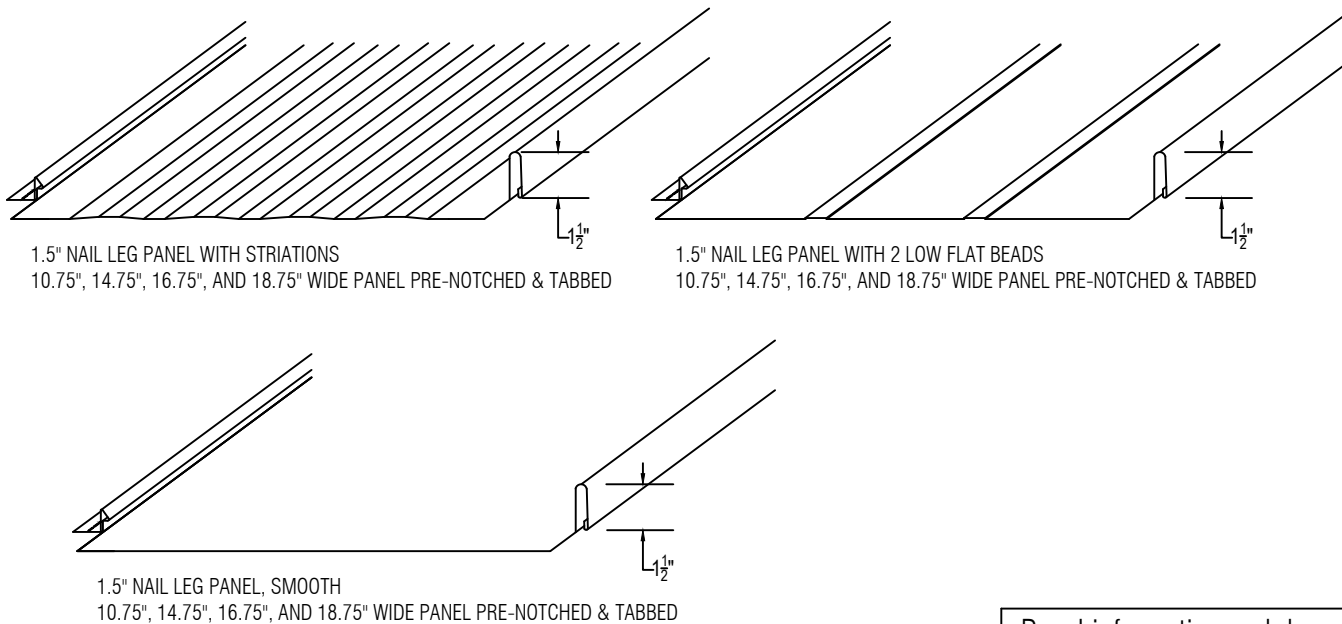
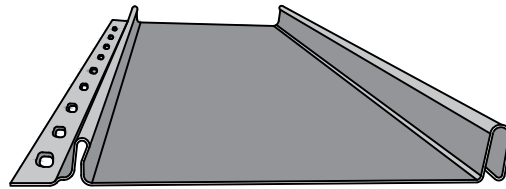


1.5" NAIL LEG PANEL



Available Material

Steel: 26 ga, 24 ga, 22 ga
Aluminum: .032
Copper: 16 oz, 20 oz

Standard and Metallic Colors: 29
Available Finishes: Kynar 500/Hylar 5000, SP

Test Data:

- Wind Uplift.....ASTM 1592
- Wind Uplift UL580.....Class 90
- Wind Uplift.....Dade 80 MPH
- Wind Uplift.....Dade 140 MPH
- Hail.....UL Class 4
- Impact.....Dade Impact
- Water.....Dade Wind Driven Rain
- Fire Rating.....UL Class A
- Minimum Pitch.....2: 12
- Custom widths available upon request

Panel information and description:

TIS: 720-002

The Nail Leg Panel offers a concealed fastener through an elongated hole and interlocking seam that allows for thermal movement due to changes in ambient temperatures. With no clips, the installation is quick which results in faster project completion at an economical cost. The panel is to be installed over solid substrates. High temperature underlayment is required when used over solid substrate applications. Many of the colors are Energy Star compliant; see color chart for applicable data and colors. Custom colors are available upon request (minimum and overages will apply). The panel design makes for a great residential or commercial option.

Notes:

- Panels install with low profile screws thru the slotted flange; spacing is dependent on uplift requirements and panel material used. Screws are available in plated or stainless steel.
- It is recommended to use stiffener beads or striations for wider panel faces in order to minimize "oil canning". Oil canning is not a cause for rejection.

Temple Architectural Products
1111 Lowell St.
Elyria, Ohio 44035

(440) 323-9393
Estimates@templearchitecturalproducts.com
www.templearchitecturalproducts.com